



Invitation For Bids

(Non-Federal)

Ultrasonic Rail Flaw Detection Services

IFB No: CQ 17062MW

Date: November 28, 2016

Bid Opening Date: December 14, 2016

Table of Contents

NOTICE TO BIDDERS	1
NOTICE TO ALL VENDORS	2
SOLICITATION, OFFER AND AWARD.....	4
PRICE SCHEDULE CONTINUATION SHEET	5
IFB SOLICITATION INSTRUCTIONS	9
1. INTRODUCTION.....	9
2. GOODS TO BE FURNISHED/SERVICES TO BE SUPPLIED	9
3. COMMUNICATIONS WITH THE AUTHORITY	9
4. PREPARATION OF BIDS.....	9
5. EXPLANATIONS TO BIDDERS	10
6. PRE-PROPOSAL CONFERENCE	10
7. AMENDMENTS PRIOR TO DATE SET FOR OPENING OF BIDS	10
8. ACKNOWLEDGMENT OF AMENDMENTS.....	11
9. PREPARATION OF BIDS	11
10. SUBMITTAL OF BIDS	11
11. RESPONSIVE BIDS	12
12. LATE BIDS AND MODIFICATIONS OR WITHDRAWALS PRIOR TO BID OPENING	12
13. BID ACCEPTANCE PERIOD AND BIDDER'S DEFAULT	13
14. BID GUARANTEE(N/A).....	13
15. BID MISTAKE.....	13
16. REPRESENTATIONS, CERTIFICATIONS, AND ACKNOWLEDGMENTS	14
17. LAWS AND REGULATIONS	14
18. ROYALTY INFORMATION(N/A).....	14
19. REQUIREMENT FOR COST DATA FOR CONTRACT AWARD	14
20. PRE-AWARD INFORMATION/BIDDER RESPONSIBILITY	14
21. PRE-AWARD RESPONSIBILITY MEETING	15
22. SITE VISIT/INSPECTION OFFEROR'S FACILITIES	15
23. BASIS FOR CONTRACT AWARD	15
24. EQUAL EMPLOYMENT OPPORTUNITY	15
25. PERFORMANCE/PAYMENT BONDS (N/A).....	16
26. OPPORTUNITY FOR SMALL AND LOCAL BUSINESS ENTERPRISES TO BID	16
27. OPPORTUNITY FOR DISADVANTAGED BUSINESS ENTERPRISES TO BID	16
28. NOTICE OF PROTEST POLICY.....	16
29. WMATA'S TAX EXEMPT STATUS	16
30. ENGLISH LANGUAGE AND UNITED STATES CURRENCY	17
31. BRAND NAME OR EQUAL(N/A).....	17
REPRESENTATIONS & CERTIFICATIONS	19
1. TYPE OF BUSINESS ORGANIZATION	19
2. AFFILIATION AND IDENTIFYING DATA	19
3. PREVIOUS CONTRACTS AND COMPLIANCE REPORTS	19
4. SMALL BUSINESS & LOCAL PREFERENCE PROGRAM (SBLPP)	20
5. COVENANT AGAINST GRATUITIES	20
6. CONTINGENT FEES	20
7. DEBARMENT, SUSPENSION, INELIGIBILITY, AND VOLUNTARY EXCLUSION	21
8. CERTIFICATION OF INDEPENDENT PRICE DETERMINATION	22
9. NONDISCRIMINATION ASSURANCE	23

10. DISCLOSURES OF INTERESTS OF WMATA BOARD MEMBERS	23
PRE-AWARD EVALUATION DATA	25
TERMS AND CONDITIONS	27
CHAPTER I – TERMS AND CONDITIONS	28
1. AGREEMENT	28
2. ARRANGEMENT OF CONTRACTUAL PROVISIONS	28
3. ORDER OF PRECEDENCE	28
4. REQUIREMENTS CONTRACT (N/A)	28
5. INDEFINITE QUANTITY CONTRACT	28
6. ORDERING	29
7. ORDER LIMITATIONS	29
8. AUDIT, AVAILABILITY, AND INSPECTION OF RECORDS	29
9. AVAILABILITY OF FUNDS FOR THE NEXT FISCAL YEAR	30
10. CONTRACTING OFFICER’S TECHNICAL REPRESENTATIVE (COTR)	30
CHAPTER II – TIME/DELAYS/LIQUIDATED DAMAGES	33
1. PERIOD OF PERFORMANCE	33
2. OPTIONS- EVALUATION	33
3. OPTIONS- EXERCISE	33
4. OPTION FOR INCREASED OR DECREASED QUANTITIES OF SUPPLIES (N/A)	34
5. OPTIONS TO EXTEND SERVICES	34
6. OPTION TO EXTEND THE TERM OF THE CONTRACT	35
7. OPTIONS EXERCISED OUT OF SEQUENCE	35
8. LIQUIDATED DAMAGES FOR DELAY (N/A)	35
9. EXTENSIONS OF TIME/FORCE MAJEURE	35
10. THE AUTHORITY’S DELAY	36
11. NOTICE TO THE AUTHORITY OF LABOR DISPUTES	37
CHAPTER III – ACCEPTANCE/INSPECTIONS/DEFICIENCIES	38
1. INSPECTION OF SERVICES	38
2. INSPECTION OF SUPPLIES (N/A)	38
3. ACCEPTANCE OF SUPPLIES(N/A)	38
4. NEW MATERIAL [SUPPLIES](N/A)	39
5. WARRANTY	39
6. CORRECTION OF DEFICIENCIES	39
7. FIRST ARTICLE INSPECTION(N/A)	40
8. F.O.B. DESTINATION(N/A)	40
9. QUALITY ASSURANCE/QUALITY CONTROL	40
CHAPTER IV—CHANGES/ PRICING ADJUSTMENTS	41
1. CHANGE ORDERS	41
2. PRICING OF ADJUSTMENTS	42
3. ACCOUNTING AND RECORD KEEPING FOR ADJUSTMENTS	42
CHAPTER V – INVOICES/PAYMENTS/ DEDUCTIONS	44
1. BILLING AND PAYMENT	44
2. PRICE REDUCTION FOR DEFECTIVE COST OR PRICING DATA – MODIFICATIONS	44
3. SUBCONTRACTOR PAYMENTS	45
4. GARNISHMENT OF PAYMENTS	45
CHAPTER VI – CONTRACT TERMINATION/STOP WORK ORDERS/DISPUTES	46

1.	STOP WORK ORDERS	46
2.	TERMINATION FOR DEFAULT	46
3.	TERMINATION FOR CONVENIENCE	48
4.	ASSIGNMENT	51
5.	DISPUTES	52
CHAPTER VII – INDEMNIFICATION/INSURANCE/RISK OF LOSS		53
1.	INDEMNIFICATION	53
2.	INSURANCE REQUIREMENTS	54
3.	TITLE AND RISK OF LOSS	58
CHAPTER VIII – INTELLECTUAL PROPERTY RIGHTS		58
1.	PATENT INDEMNITY	58
2.	SET-OFF	59
3.	RIGHTS IN TECHNICAL DATA – LIMITED(N/A)	59
4.	RIGHTS IN TECHNICAL DATA – UNLIMITED	59
5.	NOTICE AND ASSISTANCE REGARDING PATENT AND COPYRIGHT INFRINGEMENT [SUPPLIES] (N/A)	61
CHAPTER IX – ADDITIONAL COVENANTS/LEGAL REQUIREMENTS		62
1.	NONDISCRIMINATION ASSURANCE	62
2.	CONTRACT WORK HOURS AND SAFETY STANDARDS ACT- OVERTIME COMPENSATION	63
3.	WALSH-HEALEY PUBLIC CONTRACTS ACT	64
4.	DAVIS-BACON ACT (N/A)	64
5.	COPELAND ANTI-KICKBACK ACT (N/A)	64
6.	CONVICT LABOR	64
7.	COVENANT AGAINST CONTINGENT FEES	64
8.	SEAT BELT USE POLICY	65
9.	SENSITIVE SECURITY INFORMATION	65
10.	LAWS AND REGULATIONS	65
11.	HAZARDOUS MATERIAL IDENTIFICATION AND MATERIAL SAFETY DATA	65
12.	LIVING WAGE	66
13.	METRIC SYSTEM	67
14.	MANDATORY DISCLOSURE	68
15.	WORKPLACE VIOLENCE/ZERO TOLERANCE	70
16.	DRUG AND ALCOHOL TESTING (FOR SAFETY SENSITIVE FUNCTIONS ONLY) ..	70
17.	EMPLOYMENT RESTRICTION WARRANTY	70
18.	GRATUITIES	71
19.	OFFICIALS NOT TO BENEFIT	72
20.	ORGANIZATIONAL CONFLICTS OF INTEREST	72
21.	CONTRACTOR PERSONNEL	73
22.	FALSE STATEMENTS, CLAIMS OR SUBMISSIONS	74
CHAPTER X – MISCELLANEOUS ADDITIONAL PROVISIONS		75
1.	FEDERAL, STATE, AND LOCAL TAXES	75
2.	PUBLIC COMMUNICATION	75
3.	CHOICE OF LAW, CONSENT TO JURISDICTION AND VENUE	76
4.	SEVERABILITY	76
5.	SURVIVAL	76
CHAPTER XI – ADDITIONAL PROVISIONS		77
1.	AMERICANS WITH DISABILITIES ACT ACCESSIBILITY(N/A)	77

2.	RETAINAGE	77
3.	GOVERNMENT-WIDE DEBARMENT OR SUSPENSION	77
4.	FALSE STATEMENTS OR CLAIMS CIVIL AND CRIMINAL FRAUD	77
5.	PROGRESS PAYMENTS	78
6.	BONDING FOR CONSTRUCTION PROJECTS EXCEEDING \$100,000 (N/A)	78
7.	BONDING REQUIREMENTS- GENERAL(N/A)	78
CHAPTER XII-WMATA POLICIES		79
1.	SAFETY REQUIREMENTS	79
2.	PRE-EMPLOYMENT CRIMINAL BACKGROUND CHECK REQUIREMENT	80
3.	WORKPLACE VIOLENCE/ZERO TOLERANCE	80
MID-ATLANTIC PURCHASING TEAM RIDER CLAUSE		81
BOND FORMS (N/A)		
PARTIII TECHNICAL SPECIFICATIONS		
SCOPE WORK		
SMALL BUSINESS LOCAL PREFERENCE PROGRAM (SBLPP)		
COMBINED GLOSSARY OF DEFINITIONS		97

Washington Metropolitan Area Transit Authority

IFB:

Date: November 28, 2016

SUBJECT: IFB No. CQ17062

Dear Sir/Madam:

The Washington Metropolitan Area Transit Authority (WMATA) is seeking bids from qualified contractors to provide ultrasonic rail flaw detection services on an on-call basis.

A pre-bid conference will/will not be held. Your company's bid must be submitted in accordance with the IFB's terms and delivered to WMATA's, Office of Procurement and Materials, 600 Fifth Street, NW, Room 3C-02, Washington, DC 20001-2651, **no later than 2:00 p.m. on December 14, 2016.**

If you have any technical, contractual, or administrative questions, please e-mail them to Melloney Wilson, Contract Administrator at mwilson@wmata.com no later than close of business, **December 8, 2016**. WMATA will provide written answers, by e-mail to all those who obtain the IFB and provide their e-mail addresses.

The following documents must be completed, signed and submitted with your company's bid:

Price Schedule;
Solicitation, Offer & Award form;
Pre-Award Survey;
Representations and Certifications;
Certificate(s) of Insurance
Appendix C (if applicable)

Sincerely,



Kunj Behari
Contracting Officer
Office of Procurement and Materials

Washington Metropolitan Area Transit Authority
IFB:

NOTICE TO BIDDERS
IMPORTANT
PLEASE READ CAREFULLY

To ensure submission of complete bids and to avoid irregularities that could result in a non-responsive bid, please check your company's bid for each of the following common responsiveness problems:

1. Have you checked your company's bid? Are all items included and checked for math errors?
2. If amendments are included, has your company acknowledged and recorded the number of amendments on the bid envelope and bid form?
3. Has your company signed and submitted the Solicitation, Offer & Award page(s)?
4. Has your company properly completed and checked the appropriate box for each Certification and Representation? Have you included the Representations and Certifications with your company's bid?
5. Has your company completed and included the Pre- Award Data form?
6. Has your company complied with the Appendix C requirement (if applicable)?
7. Has your company marked the bid envelope with solicitation number and addressed it to the Contract Administrator (Melloney A. Wilson)?
8. Has your company included copies of any required Certificate(s) of Insurance?

Note: Contractor's pricing, if offered to other jurisdictions, will be the same regardless of quantities ordered. The Authority makes no representations regarding the quantities that may be ordered by any other jurisdictions.

Washington Metropolitan Area Transit Authority
IFB:

NOTICE TO ALL VENDORS

Please be advised that all vendors and contractors who do business with the Washington Metropolitan Area Transit Authority (WMATA) must register in the WMATA Vendor Registration System. Registration is located at <http://www.wmata.com>
New Vendor Registration.

If you are a vendor or contractor and *HAVE* done business with WMATA in the past, please electronically request your company's User ID and Password at <http://www.wmata.com>
Forgot User Id/Password.

Registered Vendor Benefits:

- Visibility to WMATA contract administrators and/or purchasing agents during the purchasing decision period;
- Visibility to other 17,500 registered vendors for possible business opportunities;
- Opportunity to update online, company information such as an e-mail address or contact person on-line;
- Ability to sign up for electronic payment option; and
- Ability to electronically reset user id and password.

Any questions regarding registration may be addressed to Vendor Relations at (202) 962-1408 or procurement@wmata.com.



Intentionally left blank

WASHINGTON METROPOLITAN AREA TRANSIT AUTHORITY
 SERVICES CONTRACT IFB-CQ17062MW
 WASHINGTON METROPOLITAN AREA TRANSIT AUTHORITY
SOLICITATION, OFFER AND AWARD

CONTRACT NO.	SOLICITATION NO. IFB <input checked="" type="checkbox"/> ADVERTISED <input type="checkbox"/> NEGOTIATED	DATE ISSUED	ADDRESS OFFER TO OFFICE OF PROCUREMENT Office of Procurement 600 Fifth Street NW Washington, DC 20001
--------------	---	-------------	--

SOLICITATION

Sealed offer in original and TWO (2) copies (one copy on electronic media, USB flash drive) for furnishing the supplies or services in the schedules will be received at Authority until 2:00 P.M. Local time December 14, 2016
 (Hour) (Date)

If this is an advertised solicitation, offers will be publicly opened at that time.
CAUTION – LATE OFFERS: See paragraph 6 of Solicitation Instructions.

- All offers are subject to the following:
1. The Solicitation Instructions that are attached.
 2. The Terms and Conditions that are attached.
 3. The Price Schedule included herein and/or attached hereto.
 4. Such other provisions, representations, certifications, and specifications, as are attached or incorporated herein by reference.

Bidder's e-mail _____
Bidder's phone number _____ **Bidder's fax number** _____

PRICE SCHEDULE					
ITEM NO.	SUPPLIES/SERVICES	QUANTITY	UNIT	UNIT PRICE	AMOUNT
(See continuation of schedule on page 22)					\$

DUN & BRADSTREET ID NUMBER: _____

BIDDER	
Name and Address (Street, city, county, state, and zip code)	Name and Title of Person Authorized to Sign Offer (Print or Type)
<input type="checkbox"/> Check if remittance is different from above — enter such address in Schedule	Signature Offer Date

AWARD (To be completed by The Authority)

ACCEPTANCE AND AWARD ARE HEREBY MADE FOR THE FOLLOWING ITEM(S):

ITEM NO.	QUANTITY	UNIT	UNIT PRICE

The total amount of this award is \$ _____

 Name of Contracting Officer (Print of Type) WASHINGTON METROPOLITAN TRANSIT AUTHORITY AWARD DATE

PRICE SCHEDULE SHEET

This is an on-call IDIQ Contract for ultrasonic rail flaw detection services that shall be completed by the issuance of task orders at a minimum of one (1) time per year or a maximum of four (4) times per year to supplement WMATA's annual testing personnel on an as-needed basis.

Base Contract, 1st Performance Period (Year 1)

CLIN	Description	Qty	Unit	Price	Amount
1-1	Test Cycle* #1	1	EA	\$ _____	\$ _____
1-2	Test Cycle #2 (optional)	1	EA	\$ _____	\$ _____
1-3	Test Cycle #3 (optional)	1	EA	\$ _____	\$ _____
1-4	Test Cycle #4 (optional)	1	EA	\$ _____	\$ _____
*	RRPL per Cycle			<u>\$365.00</u>	<u>\$365.00</u>
Subtotal 1st Performance Period					\$ _____

Option Year 1 (Year 2)

CLIN	Description	Qty	Unit	Price	Amount
2-1	Test Cycle #1	1	EA	\$ _____	\$ _____
2-2	Test Cycle #2 (optional)	1	EA	\$ _____	\$ _____
2-3	Test Cycle #3 (optional)	1	EA	\$ _____	\$ _____
2-4	Test Cycle #4 (optional)	1	EA	\$ _____	\$ _____
	RRPL** per each Cycle			<u>\$365.00</u>	<u>\$365.00</u>
Subtotal 2nd Performance Period					\$ _____

Option Year 2 (Year 3)

CLIN	Description	Qty	Unit	Price	Amount
3-1	Test Cycle #1	1	EA	\$ _____	\$ _____
3-2	Test Cycle #2 (optional)	1	EA	\$ _____	\$ _____
3-3	Test Cycle #3 (optional)	1	EA	\$ _____	\$ _____
3-4	Test Cycle #4 (optional)	1	EA	\$ _____	\$ _____
	RRPL** per each Cycle			<u>\$365.00</u>	<u>\$365.00</u>
Subtotal 3rd Performance Period					\$ _____

WASHINGTON METROPOLITAN AREA TRANSIT AUTHORITY
SERVICES CONTRACT IFB- CQ17062MW
PRICE SCHEDULE CONTINUATION SHEET

Item No	Description	Qty	Unit	Price	Amount
Option Year 3 (Year 4)					
4-1	Test Cycle #1	1	EA	\$ _____	\$ _____
4-2	Test Cycle #2 (optional)	1	EA	\$ _____	\$ _____
4-3	Test Cycle #3 (optional)	1	EA	\$ _____	\$ _____
4-4	Test Cycle #4 (optional)	1	EA	\$ _____	\$ _____
	RRPL per each Cycle			<u>\$365.00</u>	<u>\$365.00</u>
	Subtotal 4th Performance Period				\$ _____
	Grand Total				\$ _____

*Each test cycle contains 234 miles of mainline tracks, and 8 miles of yard leads, loops, turnouts and crossovers.

** Rail Road Protective Liability Insurance to reimbursed by the Washington Metropolitan Area Transit Authority

Signature

Name/ Title

Date

SOLICITATION, OFFER AND AWARD

CONTINUATION SHEET

THE UNDERSIGNED ACKNOWLEDGES RECEIPT OF THE FOLLOWING AMENDMENTS

TO SOLICITATION **IFB-CQ17062**

Amendment Number _____	Dated _____
Amendment Number _____	Dated _____
Amendment Number _____	Dated _____
Amendment Number _____	Dated _____
Amendment Number _____	Dated _____
Amendment Number _____	Dated _____

Failure to acknowledge receipt of all amendments may render the offer unacceptable.

Authorized Signature

Company Name

Date

SOLICITATION INSTRUCTIONS

IFB SOLICITATION INSTRUCTIONS

1. INTRODUCTION

- (a) The Authority seeks to award a contract for **ultrasonic rail flaw detection services**. To that end, it is issuing this Invitation for Bids (IFB) to solicit bids from qualified firms and individuals who can satisfy the requirements of the Contract.
- (b) Since this is a low bid solicitation, award of a Contract hereunder shall be to the lowest priced, responsible bidder whose bid is responsive to, and meets all requirements of, the solicitation.
- (c) The Authority contemplates award of a firm fixed price, IDIQ Contract. Unless otherwise specified in the Price Schedule, the Authority reserves the right to make multiple awards pursuant to this solicitation.

(d) **REQUIREMENTS CONTRACT** (N/A)

(f) **INDEFINITE QUANTITY**

This solicitation seeks to award an indefinite delivery, indefinite quantity (IDIQ) contract for the services specified, and effective for the period of performance stated in the Price Schedule. The quantities of services specified in the Price Schedule are estimates only and are not purchased by this Contract.

2. SERVICES TO BE SUPPLIED

Bidders are advised that:

- (a) If “services” are to be performed pursuant to this solicitation, they must be provided in all respects as specified in the Contract and include the services to be furnished, together with any labor, materials or other work necessary for satisfactory and complete performance.

3. COMMUNICATIONS WITH THE AUTHORITY

Prospective bidders are advised that any and all communications with WMATA relating to this solicitation and made by, or on behalf of, a prospective bidder at any time between release of this IFB and award of a Contract hereunder, must be directed to the Contract Administrator as follows: Melloney A. Wilson, mwilson@wmata.com, 202-962-1255.

A violation of this provision, deemed willful by the Authority, may result in a determination that an offeror is not responsible, and thus ineligible for award, for purposes of this and/or future Authority solicitations.

4. PREPARATION OF BIDS

- (a) Bidders shall furnish all information requested by the solicitation and, in so doing, are expected to examine the IFB and all referenced documents carefully. Failure to do so will be at bidder’s risk.

- (b) The bidder shall sign the solicitation and print or type its name on the Price Schedule and on each continuation sheet if an entry has been made. Erasures or other changes must be initialed by the person signing the bid.
- (c) Bidders must state a definite time for delivery of supplies or for performance of services unless otherwise specified in the solicitation.
- (d) Bidders should be aware that all prices for the work shall be deemed to include the cost of all work, labor and materials required by the Contract including, without limitation, delivery charges, insurance, bond premiums or any other expenses required by this Contract, as well as expenses associated with compliance with Federal, state or local laws or regulatory requirements. All prices are deemed to be F.O.B. Destination.

5. EXPLANATIONS TO BIDDERS

- (a) Any explanation desired by a bidder regarding the meaning or interpretation of the solicitation or Contract including, without limitation, the terms and conditions, technical specifications or Scope of Work, and Contract drawings, must be requested in writing with sufficient time allowed for a reply to reach all bidders before the date that bids will be opened. Absent extraordinary circumstances, all inquiries must be transmitted in a time frame to ensure the Contracting Officer's receipt at least ten (10) days prior to the date specified for bid opening. All such requests must be submitted via e-mail or first class mail to the Contract Administrator identified in Paragraph 3. Include the IFB number and Contract title in any correspondence.
- (b) Any information that the Authority furnishes to a prospective bidder relating to this solicitation will be provided in writing to all prospective bidders in the form of an amendment if, in the Contracting Officer's judgment, the information is necessary to the preparation and/or submittal of proposals or lack of such information would be otherwise prejudicial to other prospective bidders. Bidders must acknowledge receipt of all amendments on the form provided.
- (c) Oral explanations, representations or instructions of any kind relating to the subject matter of this solicitation given at any time before award of the Contract by any employee, officer or agent of the Authority, will not be binding upon the Authority. The Authority does not assume responsibility for the accuracy of any such communication.
- (d) The failure of a prospective bidder to request an explanation will serve to preclude it from claiming any ambiguity, inconsistency or error that should have been discovered by a reasonably prudent bidder.

6. PRE-PROPOSAL CONFERENCE

There will not be a pre-proposal conference.

7. AMENDMENTS PRIOR TO DATE SET FOR OPENING OF BIDS

- (a) The Authority reserves the right to amend any of the terms of this IFB, the proposed Contract's terms and conditions, the Scope of Work and/or drawings prior to the date set for the opening of bids. Copies of any such amendments as may be issued will be furnished in writing to all prospective bidders.

- (b) If, in the Contracting Officer's judgment, any amendment(s) would require material changes in bid quantities and/or price, the date set for bid opening may be postponed for such period that, in the Contracting Officer's opinion, will enable bidders to revise their bids. In such instances, the amendment will include an announcement of the new date for bid opening.
- (c) In the event of an amendment, all other terms and conditions of the solicitation shall remain unchanged.

8. ACKNOWLEDGMENT OF AMENDMENTS

Bidders are required to acknowledge receipt of all amendment(s) to the solicitation on the designated form to be submitted with their bid. Failure to acknowledge all amendments may cause the bid to be considered not responsive to the solicitation, which would require rejection of the bid.

9. PREPARATION OF BIDS

- a. Bids shall be submitted on the Price Schedule furnished, or copies thereof, and must be manually signed. If erasures or other changes appear on the forms, such erasures or changes must be initialed by the person signing the bid.
- b. Bidders shall furnish all information required by this IFB and, in so doing, are expected to fully examine the IFB and all attached documents. Failure to do so will be at the bidder's risk.
- c. Discounts for prompt payment will not be considered in the evaluation of bids. However, any offered discount will be included within the award of the Contract and the Authority will apply it, if payment is made within the discount period referenced in the bid.
- d. The Price Schedule expressly requires a **bid on all items**. Failure to do so will render the bid non-responsive.
- e. All bid prices shall be deemed to include the cost of all work, labor and materials required by the Contract, including without limitation, delivery charges, insurance (except RRPL), container charges or any other expenses incidental to the work, including, but not limited to expenses associated with compliance with Federal, state or local laws or regulatory requirements. All bid prices are deemed to be F.O.B. Destination.
- f. Unless specifically called for in the Price Schedule, alternate bids will not be considered.

10. SUBMITTAL OF BIDS

- a. Bids shall be enclosed in sealed envelopes and addressed to the office specified in the solicitation.
- b. The face of the envelope must show the hour and date specified in the solicitation for receipt, the solicitation number, and the bidder's name and address. Failure to follow these instructions may result in a premature opening of, or a failure to open, a bid, for which, the Authority assumes no responsibility.
- c. Facsimile bids will not be considered.

- d. All bids will remain sealed until the date and time specified for the opening of bids.

11. RESPONSIVE BIDS

- a. Bidders are advised that a bid that is at variance or noncompliant with any provision of this solicitation, including a qualified or conditional bid, may be rejected as non-responsive.
- b. The Contracting Officer may reject a bid as nonresponsive if, in his or her judgment, the bid prices are materially unbalanced. Bid prices are materially unbalanced when they are significantly understated for one (1) or more element(s) of work and significantly overstated for other element(s) of work.
- c. The Authority reserves the right to waive minor errors or omissions in a bid and to deem it responsive.

12. LATE BIDS AND MODIFICATIONS OR WITHDRAWALS PRIOR TO BID OPENING

- a. Any bid received at the office designated in the solicitation after the exact time specified for bid opening will not be considered, unless it is received before award and it:
- (1) Was sent by registered or certified U.S. or Canadian mail not later than the fifth day before the date specified for receipt of bids (For example, a bid submitted in response to a solicitation stating that bid opening will be on the 20th of the month must have been mailed by the 15th);
 - (2) Was sent by first class mail and the Contracting Officer determines that the late receipt was due solely to the Authority's mishandling after its timely delivery on the Authority's premises;
 - (3) Was sent by U.S. Postal Service, Express Mail Next Day Service not later than 5:00 p.m. at the place of mailing at least two (2) business days prior to the date specified for opening of bids. The term "business days" excludes weekends and U.S. federal holidays; or
 - (4) Is the only bid received?
- b. Any modification or withdrawal of a bid is subject to the same conditions as set forth in subparagraphs (a) (1) through (a) (3) above.
- c. The only acceptable evidence to establish the time of the Authority's receipt is the time/date stamp of that event on the bid wrapper or other documentary evidence of receipt maintained by the Authority.
- d. Notwithstanding subparagraph (a), a late modification of any otherwise successful bid that makes its terms more favorable to the Authority will be considered at any time it is received and may be accepted.

- e. Bids may be withdrawn by written notice received by the Authority before the opening of bids. Bids may be withdrawn in person by a bidder, or an authorized representative of the bidder, if the representative's identity is established to the Contracting Officer's satisfaction and the representative signs a receipt for the return of the bid, before the opening of bids. The attempted withdrawal of a bid, received subsequent to bid opening and during the acceptance period set forth in paragraph 12, will not be honored and will be without effect.

13. BID ACCEPTANCE PERIOD AND BIDDER'S DEFAULT

- a. The acceptance period for this solicitation is ninety (90) calendar days.
- b. By submission of its bid, the bidder agrees that it shall be irrevocable and shall remain available to WMATA to award a Contract pursuant to this solicitation for not less than the acceptance period. The bidder's failure to furnish required documents and/or to execute a Contract from WMATA in accordance with its bid, during the acceptance period shall constitute a bidder's default.
- c. In the event of a bidder's default, the bidder shall be liable to WMATA for all associated damages and costs, including without limitation, WMATA's "cost to cover." The "cost to cover" is the difference between the bid price and the price WMATA ultimately pays for the work encompassed in this solicitation, whether through award of a Contract to another bidder pursuant to this solicitation or otherwise.
- d. In the event of a bidder's default as described in paragraph (c), the bidder agrees that WMATA may retain or otherwise proceed against the bid guarantee furnished pursuant to paragraph 13 below as a means of recovering such damages and costs. In the event that the bid guarantee is insufficient to compensate WMATA for all such damages and costs, the bidder shall remain liable to WMATA for the remaining sum.

14. BID GUARANTEE (N/A)

15. BID MISTAKE

- a. A bidder who seeks to withdraw its bid subsequent to bid opening due to a claimed mistake or error in its preparation shall notify the Contracting Officer, in writing, immediately upon realizing the mistake, but not later than three (3) business days following bid opening. Such notification must set forth the details of, and explanation for, the claimed mistake. The Contracting Officer shall evaluate the claimed mistake and determine whether the bidder will be permitted to withdraw its bid.
- b. In the event of an apparent discrepancy between any unit price and its associated extended price, the unit price will be presumed to be correct. The Contracting Officer may award a Contract to an otherwise low bidder based upon the unit price, subject to the additional terms of this article.
- c. A bidder claiming a mistake shall, at the Contracting Officer's request, appear before one (1) or more designated Authority representative(s) to provide testimony and/or

documentation that may include the bidder's computation sheets and calculations, to assist in the Authority's determination.

- d. Nothing contained herein shall preclude the Contracting Officer from allowing a bidder to cure a deficiency in an otherwise responsive bid where he or she determines that such deficiency is in the nature of a minor informality or irregularity.

16. REPRESENTATIONS, CERTIFICATIONS, AND ACKNOWLEDGMENTS

All bidders shall check or complete all applicable boxes or blocks, and provide all requested information, and signatures on the attached "Representations and Certifications" form. Bidders are reminded of the obligation to fully and faithfully complete the accompanying "Representations and Certifications" form that must be submitted with its bid. Failure to do so may result in the bid being rejected as nonresponsive.

17. LAWS AND REGULATIONS

Bidders are responsible for complying with any and all applicable State of Maryland, Commonwealth of Virginia, District of Columbia, and Federal laws and regulations governing the services to be provided under this Contract. Further, the successful bidder shall be responsible to obtain, at its own cost and expense, any and all licenses/permits required to transact business in any political jurisdictions where work will be performed.

18. ROYALTY INFORMATION (N/A)

19. REQUIREMENT FOR COST DATA FOR CONTRACT AWARD

The Authority may require the apparent low bidder to submit cost data in sufficient detail to permit analysis of the cost elements which comprise the bid prices. In such instances, the apparent low bid may, at the discretion of the Authority, be subject to audit.

20. PRE-AWARD INFORMATION/BIDDER RESPONSIBILITY

- (a) In order to be eligible for award of a Contract, a bidder must affirmatively demonstrate to the Contracting Officer's satisfaction that it is responsible for purposes of this solicitation. Such demonstration must include a showing that it maintains the requisite integrity, overall technical expertise and experience, (including prior performance on other Authority contracts or contracts with other government agencies), and sufficient financial resources to perform the Contract in a timely, satisfactory and appropriate manner. Failure to so demonstrate may result in rejection of the low bidder as not responsible. In such event, the second lowest bidder will be required to demonstrate its responsibility. This process will continue until a bidder successfully demonstrates that it is responsible for purposes of Contract award.
- (b) The Contracting Officer may conduct a pre-award survey and/or take other actions to obtain information regarding the bidder's responsibility, if it is the apparent low bidder. The bidder shall promptly supply information that the Contracting Officer requests regarding its responsibility in such manner and form as he or she requests.

- (c) Among other items, the apparent low bidder shall furnish the following when the Contracting Officer requests:
- (1) A completed and signed "Pre-Award Evaluation Data" form (copy attached), including all referenced financial statements and information;
 - (2) Evidence of good standing in the System for Award Management (SAM) at www.sam.gov.
 - (3) Small Business Local Preference Program (SBLPP) data as set forth in Appendix C (if applicable). Failure to submit Appendix C forms may cause the proposal to be rejected. A bidder's failure to supply this information or otherwise fully cooperate with the Authority's inquiry may result in a determination that the bidder is not responsible for purposes of this solicitation and thereby ineligible for award.

21. PRE-AWARD RESPONSIBILITY MEETING

The Authority reserves the right to require that a pre-award meeting be held with the apparent low bidder prior to Contract award in order to further assist the Authority in determining the bidder's responsibility for purposes of award.

22. SITE VISIT/INSPECTION OFFEROR'S FACILITIES

A successful bidder must maintain sufficient equipment that will allow it to adequately perform Contract as specified herein. WMATA may make site visits prior to Contract award to examine the bidder's equipment. This may include verification that the necessary personnel, equipment, supplies, etc. are readily available.

23. BASIS FOR CONTRACT AWARD

- a. Award(s) of a Contract(s) hereunder will be made, based solely on the lowest price for all 4 test cycles in the base year and 3 option years as stated in the Price Schedule, to the bidder(s) (i) whose bid is judged to be responsive to the terms of the solicitation and (ii) who demonstrates to the Contracting Officer's satisfaction that it is responsible for purposes of award of this Contract.
- b. Unless otherwise expressly specified in the Price Schedule, the Authority may make multiple awards as a result of this solicitation.
- c. The Authority reserves the right to reject all bids and cancel this solicitation at any time prior to award.
- d. A written award notice mailed or otherwise furnished to the successful bidder within the acceptance period shall result in a binding contract without further action by either party.

24. EQUAL EMPLOYMENT OPPORTUNITY

In order to be eligible for award of a Contract pursuant to this solicitation, the apparent low bidder will be required to comply with all applicable Equal Employment Opportunity laws and regulations.

25. PERFORMANCE/PAYMENT BONDS (N/A)

26. OPPORTUNITY FOR SMALL AND LOCAL BUSINESS ENTERPRISES TO BID

It is the policy of the Authority that small and local businesses shall be given maximum practicable opportunity to receive and participate in performing WMATA non-federally funded contracts, including contracts and subcontracts at any tier.

27. OPPORTUNITY FOR DISADVANTAGED BUSINESS ENTERPRISES TO BID

The Washington Metropolitan Area Transit Authority hereby notifies all prospective bidders that it will affirmatively ensure that disadvantaged minority business enterprises will be afforded full opportunity to submit bids in response to this solicitation and will not be discriminated against on the basis of race, color, creed, sex, religion, national origin, disability, sexual preference and/or gender identity in consideration for award.

28. NOTICE OF PROTEST POLICY

- (a) The Authority's procedure for the administrative resolution of protests is set forth in Chapter 17 of the Procurement Procedures Manual. The procedures contain strict rules for filing a timely protest, for responding to a notice that a protest has been filed, and other procedural matters.
- (b) Alleged violations must be submitted to the Contracting Officer who will administratively decide the protest.
- (c) The United States District Courts for the Districts of Maryland, Virginia and the District of Columbia, and the local courts in Maryland, Virginia and the District of Columbia have jurisdiction over court actions concerning protest decisions.

29. WMATA'S TAX EXEMPT STATUS

- (a) Pursuant to Article XVI, Paragraph 78, of the Washington Metropolitan Area Transit Authority's Compact, as adopted by the State of Maryland, the District of Columbia, and the Commonwealth of Virginia, with the authorization and consent of the Congress of the United States, the Authority has been accorded exemption from taxes as follows:

"The Authority and the Board shall not be required to pay taxes or assessments upon any of the property acquired by it or under its jurisdiction, control, possession or supervision, or upon its activities in the operation and maintenance of any transit facility or upon any revenues therefrom, and the property and income derived therefrom shall be exempted from all Federal,

State, District of Columbia, municipal, and local taxation. This exemption shall include without limitation, all motor vehicle license fees, sales taxes and motor fuel taxes."

- (b) By submission of its bid, the bidder certifies that none of the taxes that the Authority is exempt from are included therein.

30. ENGLISH LANGUAGE AND UNITED STATES CURRENCY

With respect to both this solicitation and the resultant Contract:

- (a) All communications (oral, written, electronic and otherwise including but, not limited to, software coding) shall be in the English language.
- (b) All pricing shall be in United States dollars.

31. BRAND NAME OR EQUAL (N/A)

32. REQUESTS FOR RECORDS

The Washington Metropolitan Area Transit Authority (WMATA), in the regular course of business, may receive from the public, including prospective vendors and bidders, requests for records on a variety of topics. It is WMATA's policy to make official agency records, including electronic records, available to the public, unless specifically prohibited by WMATA's policy or applicable laws.

- (a) "Records" means any existing writings, drawings, maps, recordings, tapes, film, microfilm, correspondence, forms, cards, photographs, optical disks, photo copies, and records stored by computer (electronic records) that are made or received by WMATA in connection with a public contract. A record does not include uncirculated personal notes, papers, electronic records and any other records that were created and retained solely as work papers for personal use of the Contracting Officer, Contract Administrator or other WMATA employee.
- (b) WMATA's contracting process allows for the release/posting of certain information concerning this Contract after its award. This includes the name of the successful bidder and the amount of the award. This information is available on WMATA's website under "Business with Metro" or directly from the Contract Administrator.
- (c) Upon WMATA's request, the successful bidder shall be required to provide a redacted copy of its bid with confidential and proprietary information redacted.
- (d) After the award is announced, the winning proposal may be subject to release under WMATA's Public Access to Records Policy (PARP).
- (e) When WMATA determines that a bid will be of wide public interest, WMATA will post the redacted bid on its website. When WMATA receives three (3) or more requests for a successful bid, WMATA will post it on its website.
- (f) Requests for Records that are not made available during the procurement process will be submitted in accordance with the PARP. Requests must be in writing and sent by mail to the Office of General Counsel, Washington Metropolitan Area Transit Authority, 600 Fifth Street, NW, Washington, D.C. 20001, or by electronic mail at parpprivreq@wmata.com or by facsimile to the attention of the PARP Administrator at (202) 962-2550. If a request for

records is sent directly from the requestor to a Contract Administrator, department, or independent office, that entity shall immediately forward the request to the PARP Administrator in the Office of General Counsel. If records are subject to a PARP request, a member of the PARP team will contact the company to begin the PARP document review process, which includes providing detailed written justifications for any information for which exemptions are claimed.

- (g) Neither WMATA's bidding process nor the PARP process generally allow for the release of information that would cause competitive harm to the bidders, other organizations, WMATA's employees, or interests. Information that will be withheld includes the following:
 - (1) The names of unsuccessful bidders;
 - (2) The bids of unsuccessful bidders;
 - (3) Personal information (this does not include education and qualifications which are released) about the successful bidder or its employees that is not available to the public on the website of the successful bidder;
 - (4) Unit price details of the successful bid (this does not include the bottom line price, which is released);
 - (5) The names of the vendors who file a protest to the solicitation or its award;
 - (6) The written adjudication of any protests;
 - (7) Personal information concerning WMATA's employees; and
 - (8) Trade secrets and confidential commercial or financial information obtained from a bidder.

- (h) If your company's records are subject to a PARP request (i.e., if it is the successful bidder), a broad claim of confidentiality for the entire bid is rarely acceptable, and will likely be rejected during the PARP process. Therefore, WMATA suggests that you narrowly identify your confidential/proprietary information based on the following guidance:

- (i) Information that may be withheld/redacted: Detailed pricing except bottom line offer amounts;

- (j) Public information subject to release:
 - (1) Any information on your company's website;
 - (2) Publicly known information (even if not on your company's website);
 - (3) General company background;
 - (4) Mere compliance with IFB requirements; and
 - (5) Anything standard to the industry.

REPRESENTATIONS & CERTIFICATIONS

Instructions: Check or complete all applicable boxes or blocks on this form and submit it with your offer.

1. TYPE OF BUSINESS ORGANIZATION

By submission of this offer, the offeror represents that it operates as an individual, a partnership, a limited liability company, a joint venture, a nonprofit organization, or a corporation, incorporated under the laws of the State of _____.

Name	Signature
Title	Company
Date	

2. AFFILIATION AND IDENTIFYING DATA

Each offeror shall complete 2.1, 2.2 if applicable, and 2.3 below, representing that:

2.1 It is, is not, owned or controlled by a parent company. For this purpose, a parent company is defined as one that either owns or controls the activities and basic business policies of the offeror. To own another company, means that the parent company must own at least a majority, i.e., more than fifty percent (50%), of the voting rights in that company. To control another company, such ownership is not required. If another company is able to formulate, determine or veto the offeror's basic business policy decisions, such other company is considered the parent of the offeror. This control may be exercised through the use of dominant minority voting rights, use of proxy voting, Contractual arrangements or otherwise.

2.2 If the offeror is owned or controlled by a parent company, it shall insert in the space below the name and main office address of the parent company:

 Name of Parent Company

 Main Office Address (including ZIP Code)

2.3 If the offeror has no parent company, it shall provide in the applicable space below its own employer's identification number (E.I.N.), (i.e., number used on Federal tax returns or, if it has a parent company, the E.I. N. of its parent company).

Offeror E.I. N.: _____ or, Parent Company's E.I. N.: _____

Name	Signature
Title	Company
Date	

3. PREVIOUS CONTRACTS AND COMPLIANCE REPORTS

This representation is applicable to federally assisted contracts. By submission of this offer, the offeror represents that:

- 3.1 It [] has, [] has not, participated in a previous contract or subcontract subject to either the Equal Opportunity Clause of this solicitation, or the clause contained in Parts II and IV of Executive Order 11246, as amended; that prohibits discrimination on the basis of race, color, creed, national origin, sex, age; and
- 3.2 It [] has, [] has not, filed all required compliance reports; and
- 3.3 Representations indicating submittal of required compliance reports signed by proposed subcontractors will be obtained prior to subcontract awards.

Name	Signature
Title	Company
Date	

4. SMALL BUSINESS & LOCAL PREFERENCE PROGRAM (SBLPP)

This representation is applicable to non-federally assisted contracts. By submission of this offer, the offeror represents that:

- (a) It [] is, [] is not, a small business and local preference program enterprise certified firm. "Small Business and Local Preference Program" enterprise means a for profit small business concern that is located in the District of Columbia, Maryland, or Virginia and meets the U.S. Small Business Administration small business size standards.

Name	Signature
Title	Company
Date	

5. COVENANT AGAINST GRATUITIES

By submission of this offer, the offeror certifies, and in the case of a joint offer, each party thereto certifies as to its own organization, that in connection with this procurement:

Neither it nor any of its employees, representatives or agents have offered or given gratuities (in the form of entertainment, gifts or otherwise) to any Board member, employee or agent of the Authority with the view toward securing favorable treatment in the awarding, or administration of this Contract.

Name	Signature
Title	Company
Date	

6. CONTINGENT FEES

By submission of this offer, the offeror certifies, and in the case of a joint offer, each party thereto certifies as to its own organization, that in connection with this procurement:

- 6.1** It [] has, [] has not, employed or retained any company or persons (other than a full-time, bona fide employee working solely for the offeror) to solicit or secure this Contract, and
- 6.2** It [] has, [] has not, paid or agreed to pay any company or person (other than a full-time, bona fide employee working solely for the offeror) any fee, commission, percentage, or brokerage fee contingent upon or resulting from the award of this Contract.

Name	Signature
Title	Company
Date	

7. DEBARMENT, SUSPENSION, INELIGIBILITY, AND VOLUNTARY EXCLUSION

This certification is applicable to contracts over \$25,000.

- 7.1** Primary Covered Transactions. This certification applies to the offer submitted in response to this solicitation and will be a continuing requirement throughout the term of any resultant Contract.
 - 7.1.1** In accordance with the provisions of 2 C.F.R. Part 1200 and 2 C.F.R. Part 180, Subpart C, the offeror certifies to the best of its knowledge and belief that it and its principals:
 - 7.1.1.1** are not currently debarred, suspended, proposed for debarment, declared ineligible, or voluntarily excluded from covered transactions by any Federal or state department or agency;
 - 7.1.1.2** have not, within a three (3) year period preceding this offer, been convicted of or had a civil judgment rendered against them for commission of fraud or a criminal offense in connection with obtaining, attempting to obtain, or performing a public (Federal, state, or local) transaction or contract under a public transaction; violation of Federal or state antitrust statutes, or commission of embezzlement, theft, forgery, bribery, falsification or destruction of records, making false statements, or receiving stolen property;
 - 7.1.1.3** are not currently indicted for or otherwise criminally or civilly charged by a governmental entity (Federal, state, or local) with commission of any of the offenses enumerated in paragraph (1) (ii) of this certification; and have not, within a three (3) year period preceding this offer, had one (1) or more public transactions (Federal, state, or local) terminated for cause or default.
 - 7.1.2** Where the offeror is unable to certify to any of the statements in this certification, the offeror shall attach an explanation to this offer.

- 7.2** Lower Tier Covered Transactions. This certification applies to a subcontract at any tier expected to equal or exceed \$25,000 and will be a continuing requirement throughout the term of this Contract.
- 7.2.1** The prospective lower tier subcontractor certifies, by submission of this offer, that neither it nor its principals is currently debarred, suspended, proposed for debarment, declared ineligible, or voluntarily excluded from participation in this transaction by any Federal or state department or agency.
- 7.2.2** Where the prospective lower tier subcontractor is unable to certify to any of the statements in this certification, such prospective participant shall attach an explanation to this proposal.
- 7.3** The Certification required by 7.2, above, shall be included in all applicable subcontracts and the Contractor shall keep a copy on file. The Contractor shall be required to furnish copies of certifications to the Contracting Officer upon his or her request.

Name	Signature
Title	Company
Date	

8. CERTIFICATION OF INDEPENDENT PRICE DETERMINATION

- 8.1** By submission of its offer, the offeror certifies, and in the case of a joint offer, each party thereto certifies as to its own organization, that in connection with this procurement:
- 8.1.1** The prices in this offer have been arrived at independently, without, for the purpose of restricting competition, any consultation, communication, or agreement with any other offeror or with any other competitor;
- 8.1.2** Unless otherwise required by law, the prices that are quoted in this offer have not been knowingly disclosed by the offeror and will not be knowingly disclosed by the offeror prior to award (in the case of a negotiated procurement), directly or indirectly, to any other offeror or to any competitor; and
- 8.1.3** No attempt has been made or will be made by the offeror to induce any other person or firm to submit or not to submit an offer, for the purpose of restricting competition.
- 8.2** Each person signing this offer certifies that:
- 8.2.1** He or she is the person in the offeror's organization responsible for the decision regarding the prices being offered herein and that he/she has not participated, and will not participate, in any action contrary to 8.1.1 through 8.1.3 above; or
- 8.2.2** He or she is not the person in the offeror's organization responsible for the decision regarding the prices being offered herein, but that he/she has been authorized in writing to act as agent for the persons responsible for such decision in certifying that such persons have not participated; and will not participate, in any action contrary to 8.1.1 through 8.1.3 above; or and as their agent he or she does hereby so certify.

Name	Signature
Title	Company
Date	

9. NONDISCRIMINATION ASSURANCE

By submission of this offer, the offeror certifies, and in the case of a joint offer, each party thereto certifies as to its own organization, in connection with this procurement, that it will not discriminate on the basis of race, color, creed, religion, national origin, sex, age, disability, sexual preference and/or gender identity in the performance of this Contract. The offeror is required to insert the substance of this clause in all subcontracts and purchase orders. The Contractor's failure to carry out these requirements is a material breach of this Contract, that may result in the termination of this Contract or such other remedy as the Authority deems appropriate. The offeror further agrees by submitting this offer, that it will include this certification, without modification, in all subcontracts and purchase orders.

Name	Signature
Title	Company
Date	

10. DISCLOSURES OF INTERESTS OF WMATA BOARD MEMBERS

For purposes of this disclosure, terms in bold are defined by the Code of Ethics for Members of the WMATA Board of Directors a copy of which is available at www.wmata.com. Financial interests include ownership interests and prospective and actual income. Firm includes parents, subsidiaries and affiliates.

By submission of this offer, the offeror certifies, and in the case of a joint offer, each party thereto certifies as to its own organization, that to the best of its knowledge, information and belief in connection with this procurement:

10.1 [] No WMATA **Board member, household member or business associate** has a financial interest in this firm, in a **financial transaction** with the Authority to which this firm is a party or prospective party, or in an **actual or prospective business relationship with the Authority** to which this firm is a party.

10.2 [] The following WMATA **Board member(s), household member(s) or business associate(s)** has a financial interest in this firm, in a **financial transaction** with the Authority to which this firm is a party or prospective party, or in an **actual or prospective business relationship with the Authority** to which this firm is a party, Include in "Nature of Interest" below, a description of the financial interest and (1) for ownership interests, the value of the interest, the name and address of the firm in which the interest is held, and the total equity or equivalent interest of the firm; and (2) for income, the amount of all income received by the **Board member, household member or business associate** in the current and preceding fiscal year for services provided, and the name and address of the firm from which the income was received.

Name of Board Member	Nature of Interest
----------------------	--------------------

Household Member or
Business Associate

10.3 The certification required by 10.1 and 10.2 above shall be included in all subcontracts. The prime contractor shall furnish copies of certifications to the Contracting Officer and retain a copy for inspection upon his or her request.

Name	Signature
Title	Company
Date	

PRE-AWARD EVALUATION DATA

PROJECT DESCRIPTION: _____

1. Name of firm _____

2. Address: _____

3. Individual Partnership Corporation Joint Venture

4. Date organized _____.

State where incorporated or organized _____.

5. Names of officers or partners:

a. _____

b. _____

c. _____

d. _____

e. _____

f. _____

6. How long has your firm been in business under its present name?

7. Attach as Schedule One (1) a list of similar current contracts that demonstrate your firm's technical proficiency, each with contract amount, name of contracting party, character or type of work and percentage of completion.

8. Attach as Schedule Two (2) a list of similar contracts, each with contract amount, name of contracting party, and character or type of work for similar contracts completed in the last two (2) years.

9. In the last two (2) years has your firm been denied an award where it was an offeror?

If the answer is yes, attach as Schedule Three (3) the full particulars regarding each occurrence.

10. Has your firm failed to complete, in the last two (2) years, any contract on which it was the offeror?

If the answer is yes, attach as Schedule Four (4), the full particulars regarding each occurrence.

11. Financial resources available as working capital for the Contract:

a. Cash on hand: \$ _____

- b. Sources of credit: _____
12. Attach as Schedule Five (5) financial statements and letters from banks regarding credit as required by the "Pre-Award Information" article.
 13. What percentage of work (Contract amount) does your firm intend performing with its own personnel? %.
 14. Attach as Schedule Six (6), a list of all principal subcontractors and the percentage and character of work (Contract amount) that each will perform. Principal items of work shall include, but not be limited to, those items listed in the "Pre-Award Information" article.
 15. If the Contractor or subcontractor is in a joint venture, submit "Pre-Award Evaluation Data" forms for each member of the joint venture.

The above information is confidential and will not be divulged to any unauthorized personnel.

The undersigned certifies to the accuracy of all information.

COMPANY: _____

SIGNATURE: _____

NAME: _____

TITLE: _____

DATE: _____

TERMS AND CONDITIONS

CHAPTER I – TERMS AND CONDITIONS

1. AGREEMENT

The work to be performed under this Contract may briefly be described as **ultrasonic rail flaw detection services**, including all necessary or incidental work, labor and materials. The Contractor agrees to perform the work in accordance with requirements and terms and conditions hereinafter set forth in this Contract. In consideration for the Contractor's complete, satisfactory and proper performance of the Contract, the Authority agrees to pay to the Contractor, and the Contractor agrees to accept as full compensation, the sums of money set forth in the Price Schedule at the time and in the manner and upon the terms and conditions set forth in the Contract.

2. ARRANGEMENT OF CONTRACTUAL PROVISIONS

For ease of reference, this Contract is divided into chapters, articles, paragraphs and subparagraphs. While the chapters and articles are titled, it is understood that both the use of such titles and the manner and overall arrangement of the Contractual provisions are intended solely for the convenience of the parties and are without independent Contractual or legal significance.

3. ORDER OF PRECEDENCE

- (a) Any inconsistency in the Contract shall be resolved by giving precedence to the following order: (a) terms and conditions (b) the specifications or Statement of Work; (c) drawings, if any; (d) other documents, exhibits, and attachments generated by the Authority as part of the Contract; (e) the technical proposal, if any, and other Contractor submissions generated as part of the Contract. In the event of a conflict within or between provisions entitled to equal precedence, the more stringent requirement shall apply.
- (b) Notwithstanding paragraph (a), if this Contract is funded, in whole or part, through funding provided by the Federal Government, all contract terms mandated for inclusion by the Federal Government shall be deemed to supersede any other conflicting or inconsistent provisions of the Contract.

4. REQUIREMENTS CONTRACT (N/A)

“

5. INDEFINITE QUANTITY CONTRACT

- (a) This is an indefinite-quantity Contract for the supplies or services specified, and effective for the period of performance stated in the Price Schedule. The quantities of services specified in the Price Schedule are estimates only and are not purchased by this Contract.
- (b) Delivery or performance shall be made only as the Contracting Officer authorizes through orders made in accordance with the “Ordering” and “Order Limitations” articles. The Contractor shall furnish to the Authority, when and if ordered, the services specified in the Price Schedule up to and including the quantity designated in the Price Schedule as the “maximum.” The Authority shall order at least the quantity of supplies and/or services designated in the Price Schedule as the “minimum.”

- (c) There is no limit on the number of orders that may be issued other than any limitations imposed by the "Order Limitations" clause. The Authority may issue orders requiring delivery to multiple destinations or performance at multiple locations.

Any order issued during the effective period of this Contract and not completed within that period shall be completed by the Contractor within the time specified in the order. This Contract and WMATA's Procurement Procedures Manual (PPM) shall govern the parties' rights and obligations regarding that order to the same extent that they would have governed the order had it been completed during the Contract's effective period.

6. ORDERING

- (a) The Contracting Officer shall order any services to be furnished under this Contract by the issuance of delivery orders or task orders. Such orders may be issued throughout the period of performance.
- (b) All delivery orders or task orders are subject to the terms and conditions of this Contract. In the event of a conflict between a delivery order or task order and this Contract, this Contract shall control.
- (c) If mailed, a delivery order or task order is considered "issued" when the Authority places the order in the mail. Orders may be issued electronically, if authorized by the Price Schedule.

7. ORDER LIMITATIONS

- (a) *Minimum order.* When the Authority requires services covered by this Contract in an amount less than one test cycle which consists of 234 miles of mainline tracks and 8 miles of yard leads, loops, turnouts and crossovers, the Authority is not obligated to purchase, nor is the Contractor obligated to furnish those services under this Contract.
- (b) *Maximum order.* The Contractor is not obligated to honor:
 - (1) Any order for a single item or combination of items in excess of 4 test cycles in the base year and each option year. ;
 - (2) The Contractor shall honor any order exceeding the maximum order limitations in this clause, unless that order (or orders) is returned to the Contracting Officer within 3 working days after issuance, with written notice stating the Contractor's intent not to render the services and the reasons. Upon receiving this notice, the Contracting Officer may acquire the services from another source.

8. AUDIT, AVAILABILITY, AND INSPECTION OF RECORDS

- (a) *Authorized persons.* The Contracting Officer and his or her representatives, including representatives of the Authority's governing jurisdictions and any other Federal, state, or local entity providing funding for this Contract and the U.S. Comptroller General shall have access and inspection rights described in this article.
- (b) *Examination of costs.* The Contractor shall maintain, and the Contracting Officer shall have the right to examine and audit, all records sufficiently to properly reflect all costs

incurred or anticipated to be incurred directly or indirectly in performance of this Contract. This right of examination shall include inspection of the Contractor's facilities engaged in performing this Contract at all reasonable times.

- (c) *Cost or pricing data.* If the Contractor is required to submit cost or pricing data in connection with any pricing action relating to this Contract, the Contracting Officer shall have the right to examine and audit all of the Contractor's records related to: (1) any proposal for the Contract, subcontract, or modification; (2) any clarifications or discussions conducted on the proposal; (3) pricing of the Contract, subcontract or modification; or (4) performance of the Contract, subcontract or modification.

- (e) *Availability.* The accounts, records and cost information required to be originated under this Contract, and together with all other accounts, records and cost information related to this Contract, shall be maintained and made available by the Contractor and subcontractor(s):
 - (1) At their offices at all reasonable times for inspection, audit, reproduction or such other purposes as the Contracting Officer or by anyone he or she authorizes may require or pursuant to any other provision of this Contract; and
 - (2) Except to the extent otherwise expressly set forth in this Contract, until three (3) years from the date of final payment under this Contract. If the Contract is completely or partially terminated, such records shall be maintained for a period of three (3) years from either the date of any resulting final settlement or the date of final payment, whichever is later. If a pricing adjustment is involved in any dispute or litigation related to this Contract, such records shall be maintained for a period equal to the later of three (3) years from the date of final payment or one (1) year following the final disposition of the dispute or litigation.

- (e) *Subcontracts.* The Contractor shall insert this article, in all subcontracts that exceed \$100,000.

9. AVAILABILITY OF FUNDS FOR THE NEXT FISCAL YEAR

Funds are not guaranteed for performance under this Contract beyond the current fiscal year that ends on June 30th. The Authority's obligation for performance of this Contract beyond that date is contingent upon the availability of funds from which payment for Contract purposes can be made. The Authority's legal liability for any payment cannot arise for performance under this Contract, until funds are made available to the Contracting Officer for performance and until he or she notifies the Contractor of the availability, in writing. Any option exercised by the Authority that will be performed, in whole or in part, in a subsequent fiscal year is subject to availability of funds in that year and will be governed by the terms of this article.

10. CONTRACTING OFFICER'S TECHNICAL REPRESENTATIVE (COTR)

- (a) The work will be conducted under the Contracting Officer's general directions. Authority will be delegated to the Contracting Officer's Technical Representative (COTR) to take the following actions;

- (1) Act as the principal point of contact with the Contractor. The COTR will submit a copy of each item of incoming correspondence and a copy of any enclosures to the Contract Administrator;
- (2) Approve in writing, the Contractor's progress schedule and submittals when required;
- (3) Inspect the work for compliance with this Contract;
- (4) Review and approve invoices and payment estimates. The COTR will forward invoices and receipts to accounting. The COTR will bring any significant discrepancies in, or disputes concerning, Contractor invoices or payments to the Contracting Officer's attention. In those cases requiring release of final retained percentages of payment, the COTR will make his or her recommendations to the Contracting Officer in writing;
- (5) Coordinate correspondence with the Contract Administrator, if its importance significantly impacts the Contractual terms and conditions;
- (6) Evaluate the Contractor's technical letters and proposals for the Contracting Officer;
- (7) Advise the Contracting Officer of potential problems that may affect Contract performance;
- (8) Advise DBE Office, if DBE, SBE, or SBLPP issue(s) appear that may require investigation.
- (9) Advise the Contracting Officer whenever the COTR has reason to believe that the Contractual not-to-exceed amount will be exceeded;
- (10) Prepare the Authority's estimate for proposed Contract modifications. Participate in negotiations for modifications;
- (11) Approve, in writing, the Contractor's progress schedule when required.
- (12) Receive from the Contractor, monthly, if applicable, DBE status reports and forward them to the DBE Office;
- (13) Receive from the Contractor certified payroll reports and prepare a log sheet indicating the following: (1) name of the Contractor and subcontractor; (2) the Contract number; (3) the certified payroll number (number for the payroll for the project starting with the number 1); (4) the time frame of the payroll period (i.e. 1/21/11-2/3/11); (5) the statement of compliance date (first page of the report); and (6) the date the report was received by WMATA;
- (14) Maintain a comprehensive file/record of documents and correspondence concerning Contract activities and actions;
- (15) Provide the Contract Administrator with a written notification after all supplies/services have been received with a statement that the COTR is not aware of any open issues that would preclude closeout of the Contract and that it is ready for closeout. The COTR will return the file, containing all records, correspondence, etc., to the Contract Administrator;
- (16) Execute Standard Form 1420, which contains a detailed performance evaluation of the Contractor. If, there are one (1) or more categories in which the Contractor is deemed unsatisfactory, these evaluations must be provided to it for comment;
- (17) Provide the Contract Administrator with a written request (and requisition) to exercise option(s) (if any) a minimum of ninety (90) days prior to the time established in this Contract for exercise of the option;
- (18) The presence or absence of the COTR or his or her inspectors shall not relieve the Contractor from any requirements of this Contract.
- (19) The COTR may not re-delegate or sub-delegate his or her authority to act on the Contracting Officer's behalf. If, for whatever reason the COTR is unable or

unwilling to fulfill his or her responsibilities under this Contract, only the Contracting Officer can designate a new COTR.

- (b) The COTR's name and address will be provided after award.

CHAPTER II – TIME/DELAYS/LIQUIDATED DAMAGES

1. PERIOD OF PERFORMANCE

The period of performance is one year commencing on the date of award with 3 one year options to be exercised at the sole discretion of the Authority.

The Authority has the unilateral right to extend this Contract by exercising up to three option periods subject to all terms and conditions stated herein.

The Authority may exercise the option(s) (if any) by written notice to the Contractor prior to commencement of the option period. The Contracting Officer shall give the Contractor a preliminary notice of its intent to exercise an option within a reasonable time before the Contract expires. The preliminary notice does not commit the Authority to exercise an option.

2. OPTIONS- EVALUATION

In awarding this Contract, the Contracting Officer shall evaluate offers for any option quantities or periods contained in a solicitation in accordance with PPM §§ 4-21 through 4-23.

3. OPTIONS- EXERCISE

- (a) When exercising an option, the Contracting Officer shall provide written notice to the Contractor within a reasonable amount of time before exercising the option.
- (b) When the Contract provides for economic price adjustment and the Contractor requests a revision of the price, the Contracting Officer shall determine the effect of the adjustment on prices under the option before the option is exercised.
- (c) In accordance with PPM § 4-23, the Contracting Officer may exercise options only after determining that—
 - (1) Funds are available;
 - (2) The requirement covered by the option fulfills an existing WMATA need;
 - (3) The exercise of the option is the most advantageous method of fulfilling WMATA's needs, when price and other factors are considered.
 - (4) Contractor is not listed in the System for Award Management's Exclusions (See www.sam.gov).
 - (5) The Contractor's past performance evaluations on other Contract actions have been considered; and
 - (6) The Contractor's performance on this Contract has been acceptable in that it received satisfactory ratings.
- (d) The Contracting Officer, after considering price and other factors, shall make the determination on the basis of one (1) of the following:
 - (1) A new solicitation fails to produce a better price or a more advantageous offer than that offered by the option. If it is anticipated that the best price available is the option price or that this is the more advantageous offer, the Contracting Officer should not use this method of testing the market.

- (2) An informal analysis of prices or an examination of the market indicates that the option price is better than prices available in the market or that the option is the more advantageous offer.
- (3) The time between the award of the Contract containing the option and the exercise of the option is so short that it indicates the option price is the lowest price obtainable or the more advantageous offer. The Contracting Officer shall take into consideration such factors as market stability and comparison of the time since award with the usual duration of Contracts for such supplies or services.
- (e) The determination of other factors under subparagraph (d):
 - (1) Should take into account WMATA's need for continuity of operations and potential costs of disrupting operations; and
 - (2) May consider the effect on DBEs.
- (f) Before exercising an option, the Contracting Officer shall make a written determination for the Contract file that the exercise is in accordance with the terms of the option, and the requirements of this clause. To satisfy requirements for full and open competition, the option must have been evaluated as part of the initial competition and be exercisable at an amount specified in or reasonably determinable from the terms of the basic contract, such as:
 - (1) A specific dollar amount;
 - (2) An amount to be determined by applying provisions (or a formula) provided in the basic contract, but not including renegotiation of the price for work in a fixed-price type contract;
 - (3) In the case of a cost-type contract, if—
 - (a) The option contains a fixed or maximum fee; or
 - (b) The fixed or maximum fee amount is determinable by *applying* a formula contained in the contract;
 - (4) A specific price that is subject to an economic price adjustment provision; or
 - (5) A specific price that is subject to change as the result of changes to prevailing labor rates provided by the U.S. Secretary of Labor.
- (g) The Contract modification or other written document that notifies the Contractor of the exercise of the option shall cite this article as authority.

4. OPTION FOR INCREASED OR DECREASED QUANTITIES OF SUPPLIES (N/A)

5. OPTIONS TO EXTEND SERVICES

WMATA may require continued performance of any services for additional test cycles within the limits and at the prices specified in this Contract. These prices may be adjusted only as a result of revisions to the prevailing labor rates provided by the U.S. Secretary of Labor. This option provision may be exercised more than once, but the total extension of performance

thereunder shall not exceed six (6) months. The Contracting Officer may exercise the option by written notice to the Contractor within a reasonable amount of time exercising the option.

6. OPTION TO EXTEND THE TERM OF THE CONTRACT

- (a) WMATA may extend the term of this Contract by written notice to the Contractor within a reasonable amount of time exercising the option, provided that WMATA gives the Contractor a preliminary notice of its intent to extend within a reasonable amount of time before the Contract expires. The preliminary notice does not commit WMATA to the extension.
- (b) If WMATA exercises this option, the extended Contract shall include this option clause.
- (c) The total duration of this Contract, including any options under this clause shall be reasonable as determined by the Contracting Officer in consultation with counsel (COUN).

7. OPTIONS EXERCISED OUT OF SEQUENCE

WMATA may exercise options at any time, including during the base period, and in any sequence, even if it varies from the sequence stated in the Price Schedule. The Contractor may be entitled to an equitable adjustment in the Contract price, if exercising the option out of sequence causes any undue delay in performance of this Contract. If options are extended during the base period or out of sequence, any previously agreed to economic price adjustment for exercise of the option may not apply, at the Contracting Officer's discretion.

8. LIQUIDATED DAMAGES FOR DELAY (N/A)

9. EXTENSIONS OF TIME/FORCE MAJEURE

- (a) For purposes of this clause, the term "force majeure" shall mean an unforeseen event or circumstance, beyond the control of, and not occasioned by the fault or negligence of, the Contractor or the Authority, that gives rise to a delay in the progress of the Contract, including, without limitation, acts of God, acts of war or insurrection, unusually severe weather, fires, floods, strikes, freight embargoes or other events or circumstances of like nature.
- (b) Notwithstanding the provisions of the "Liquidated Damages" article of this Contract (if applicable), if the Contractor is delayed at any time during the performance of this Contract, by the Authority's negligence or by a force majeure event, then the Contracting Officer shall extend the time for completion and/or the affected date(s) in the following circumstances:
 - (1) The cause of the delay arises after the award of the Contract and neither was nor could have been anticipated by the Contractor by reasonable investigation before such award;
 - (2) The Contractor demonstrates to the Contracting Officer that the completion of the work and/or affected schedule will be actually and necessarily delayed;

- (3) The delay cannot be avoided or mitigated by the exercise of all reasonable precautions, efforts and measures available to the Contractor, whether before or after the cause of delay; and
 - (4) The Contractor makes a written request and provides other information to the Contracting Officer, as described below.
- (c) If the Contractor will be delayed at any time or for any period by two (2) or more of the above-mentioned causes, the Contractor shall not be entitled to a separate extension for each cause, but shall be entitled to only one (1) period of extension for the cumulative effects of the delay.
- (d) The Contracting Officer may rescind or shorten any extension previously granted, if he or she subsequently determines that any information that the Contractor provided in support of a request for an extension of time was erroneous, if, accurate information would have resulted in a denial of the request for an excusable delay. The Contracting Officer will not rescind or shorten any extension previously granted, if the Contractor acted in reliance upon it and if, in his or her judgment, such extension was based on information that the Contractor submitted in good faith, even if it is later determined to be erroneous.
- (e) The request for an extension of time shall be made within ten (10) days after the Contractor knows or should know of any cause for which it may claim an excusable delay. The Contractor's request shall contain any potential basis for an extension of time, describing, as fully as possible, the nature and projected duration of the delay and its effect on the completion of the work identified in the request. Within thirty (30) days after his or her receipt of all such information, the Contracting Officer shall advise the Contractor of his or her decision on such requested extension. Where it is not reasonably practicable for the Contracting Officer to render his or her decision in the thirty (30) day period, he or she shall, prior to the expiration of such period, advise the Contractor that he or she will require additional time and state the approximate date upon which he or she expects to render a decision.
- (f) In no event shall a delay in performance of the Contract occasioned solely by a force majeure event or the acts or omissions of any party outside the control of the Contractor be the basis for a termination for default pursuant to this Contract. In no event shall a subcontractor at any tier be deemed a party outside of the Contractor's control.

10. THE AUTHORITY'S DELAY

- (a) If the performance of all or any part of this Contract is delayed in a material manner or extent by the Authority's acts or omissions that are not expressly or impliedly authorized by this Contract or by applicable provisions of law, the Contracting Officer shall make an adjustment (excluding profit) for any increase in the cost of performance of this Contract caused by such delay and shall modify the Contract, in writing. The Contracting Officer shall make an adjustment to the delivery or performance dates and to any other Contractual provision, if such delay or interruption affected Contract compliance. The Contracting Officer shall make no adjustment under this Contract for any delay or interruption, if performance was or could have been delayed by any other cause, including, without limitation: (i) the fault or negligence of the Contractor or any subcontractor; (ii) an act constituting a force majeure event pursuant to this Contract;

or (iii) any other cause for which an adjustment is provided under any other article of this Contract, at law or in equity.

- (b) An adjustment pursuant to paragraph (a) shall not be allowed:
 - (1) For any costs incurred more than twenty (20) days before the Contractor notifies the Contracting Officer, in writing, of the delay.
 - (2) Unless the claim, in a sum certain, is asserted in writing as soon as practicable after the termination of the delay. In no event, shall a Contractor assert a delay claim later than thirty (30) days after its termination. The delay claim shall be accompanied by appropriate documentation, specifically supporting the nature and extent of the claimed impact upon the cost and/or time required for performance. In any instance where it is not possible for the Contractor to fully project such impact within the thirty (30) day period, it shall support the claim with such documentation as is then reasonably available, along with a statement of the anticipated time frame when the Contractor expects to provide the additional materials. The Contracting Officer shall maintain the right throughout the process to request such additional materials as he or she shall reasonably require in consideration of the claim and shall be under no obligation to conclude his or her consideration of the claim prior to review of all relevant materials. Any adjustment to the Contract price pursuant this article must be determined prior to final payment under this Contract.

11. NOTICE TO THE AUTHORITY OF LABOR DISPUTES

- (a) Whenever the Contractor has knowledge that any actual or potential labor dispute is delaying or threatens to delay the timely performance of this Contract, the Contractor shall immediately give notice thereof, including all relevant information with respect thereto, to the Contracting Officer.
- (b) The Contractor agrees to insert the substance of this article, including this paragraph (b), in any subcontract hereunder if a labor dispute may delay the timely performance of this Contract.

CHAPTER III – ACCEPTANCE/INSPECTIONS/DEFICIENCIES

1. INSPECTION OF SERVICES

- (a) The Contractor shall provide and maintain an inspection system acceptable to the Authority covering the services under this Contract. The Contractor shall maintain complete records of all inspection work it performs and make them available to the Authority during Contract performance in the manner and in accordance with the time periods set forth in the “Audit and Inspection of Records” article of this Contract.
- (b) The Authority has the right to inspect and test all services called for by this Contract, at all times and places reasonably practicable during the term of this Contract. The Authority shall perform inspection and tests in a manner that will not unduly delay the Contract.
- (c) If the Authority performs inspections or tests on the Contractor’s or subcontractor’s premises, the Contractor shall furnish, and shall require subcontractors to furnish, without cost, all reasonable facilities and assistance for the safe and convenient performance of such inspections or tests.
- (d) If any of the services performed do not conform to the Contract’s requirements, the Authority may require the Contractor to perform them again in conformity with the Contract’s requirements, without additional cost. When the defects in performance cannot reasonably be corrected by such further performance, the Authority may:
 - (1) Direct the Contractor to take necessary action to ensure that future performance conforms to this Contract’s requirements; and/or
 - (2) Reduce the Contract price to reflect the reduced value of the services performed.
- (e) If the Contractor fails to comply with the provisions of paragraph (d), the Authority may:
 - (1) By contract or otherwise, perform the services and charge to the Contractor any cost thereby incurred by the Authority; and/ or
 - (2) In the event that the Contracting Officer deems such failure to comply a material breach, terminate the Contract for default.
- (f) Nothing contained herein shall be deemed to preclude the Contracting Officer from reducing the Contract price due to the reduced value of nonconforming services to the Authority.

2. INSPECTION OF SUPPLIES (N/A)

3. ACCEPTANCE OF SUPPLIES (N/A)

4. NEW MATERIAL [SUPPLIES] (N/A)

5. WARRANTY

- (a) All work furnished for this Contract shall be unconditionally warranted against failures or defects for a period of one (1) year after the Authority accepts them. The Contractor shall accept the Authority's records regarding the date the item was accepted. .
- (b) In the event that any work covered by the warranty provisions fails during the warranty period, the Contractor shall repair or replace the work within three (3) days without cost or expense to the Authority.
- (c) Should the Contractor shall fail to do any work in accordance with the terms of this warranty, or if immediate replacement or work is necessary to maintain operations, the Authority shall have the right to cause such replacement to be made, utilizing its own forces and/or those of third parties as the Authority shall reasonably deem appropriate, at the Contractor's expense.
- (d) All work thereof that the Contractor replaces, repairs, or adjusts in any manner under the terms of this warranty during the warranty period shall be reported to the Contracting Officer on the Authority's forms. Each report shall indicate in detail all repairs, or adjustments to each and every service.
- (e) Any warranty work shall be accomplished with minimum disruption to the Authority's operations and to its maintenance and service facilities. The Authority shall at its sole discretion determine the availability of facilities for warranty work.
- (f) The Contractor shall make adequate service facilities available for all the items under warranty. Trained technical service personnel shall be available to the Authority sufficient to meet the Contractor's warranty obligations.
 - (1) The Contractor shall provide field service representatives who are competent and fully qualified in the maintenance and operation of the warranted items. These field service representatives shall assist the Authority in overcoming any difficulties in the operation or maintenance of the warranted items. They shall further serve as the Contractor's on-site representatives for any component failure claims or warranty claims under this Contract.
 - (2) During the warranty period, a field service representative shall be available within twenty four (24) hours.
- (g) The Authority's rights set forth in this article shall be in addition to those set forth elsewhere in this Contract or otherwise at law or in equity.

6. CORRECTION OF DEFICIENCIES

- (a) The Contractor must replace materials or correct workmanship not conforming to the Contract's requirements at no additional cost to WMATA. In addition, the Contractor is subject to any liquidated damages specified in this Contract or actual damages incurred by WMATA. If the Contractor fails to correct deficiencies, the Contracting Officer, may take specific action as follows:

(1) Replace or correct the item or work at the Contractor's expense. This may be accomplished by award of a new contract or by use of WMATA's own resources.

(2) Accept the items with a reduction in price. This action will be accomplished by formal modification to this Contract. The reduced price will be based upon the reasonable value of the item, considering the possible cost of correcting the item.

(3) Terminate this Contract for default. If the item or work must be re-procured, the Contractor is normally liable for excess costs incurred by WMATA in accordance with the "Termination for Default" article of this Contract.

7. FIRST ARTICLE INSPECTION-(N/A)

8. F.O.B. DESTINATION (N/A)

9. QUALITY ASSURANCE/QUALITY CONTROL

The Contractor shall be responsible for quality assurance and for assuring that the work conforms to the requirements of this Contract. The Contractor shall maintain an effective and economical quality control program planned and developed in conjunction with other Contractor functions necessary to satisfy this Contract's requirements. The quality control program shall establish and implement procedures to ensure that only acceptable supplies or services are tendered to the Authority for acceptance, and shall demonstrate both recognition of the Contract's quality requirements and an organized approach to satisfying them. The program shall ensure that quality requirements are satisfied throughout all phases of Contract performance, including, as applicable, design development, purchasing, fabrication, processing, assembly, inspection, testing, packaging, delivery, and storage and shall provide for the early detection of actual or potential deficiencies, trends, or conditions that could result in unsatisfactory quality.

CHAPTER IV—CHANGES/ PRICING ADJUSTMENTS

1. CHANGE ORDERS

- (a) The Contracting Officer may at any time, by a written order, and without notice to the sureties, if any, direct and implement change orders, within the general scope of this Contract, including but not limited to one or more of the following:
 - (1) Nature and/or extent of services to be performed or supplies to be furnished;
 - (2) Time of performance (i.e., hours of the day, days of the week, etc.); or
 - (3) Place of performance of the services or delivery of the supplies.
- (b) If, in the Contracting Officer's judgment, any change causes an increase or decrease in the cost of, or the time required for, the performance of any part of this Contract, whether or not directly changed by the order, he or she shall make an equitable adjustment to the Contract price, the delivery schedule, or both, and shall modify the Contract, in writing, accordingly.
- (c) In any instance where the Contractor asserts a right to an adjustment in the Contract price or time required for performance as the result of a change, it must submit a written claim advising the Authority within thirty (30) days from the date of receipt of the written order directing the change. The claim shall be accompanied by appropriate documentation, supporting the nature and extent of the claimed impact upon the Contract price and/or time required for performance. In any instance where it is not reasonably practicable fully project such impact within the thirty (30) day period, the Contractor shall accompany its claim with such supporting documentation as is then reasonably available as along with a statement of the anticipated time frame when the Contractor expects to provide the additional materials. The Contracting Officer shall maintain the right throughout the process to request such additional materials as he or she shall reasonably require in consideration of the claim and shall be under no obligation to conclude his or her consideration of the claim prior to review of all relevant materials. Any adjustment to the Contract price pursuant to this article must be agreed upon or otherwise determined prior to final payment.
- (d) If the Contractor's proposed price adjustment includes the cost of property rendered obsolete or excess by the change, the Contracting Officer shall have the right to prescribe the manner of property disposition.
- (e) Disagreement regarding either party's right to any adjustment in price or time for performance as the result of a change implemented pursuant to this article shall be subject to adjudication in accordance with the "Disputes" article of this Contract. Notwithstanding the pendency of any such dispute, the Contractor expressly acknowledges that it shall remain fully obligated to perform the Contract as so changed.
- (f) The Contractor shall promptly notify the Contracting Officer of matters, whether implemented as change orders or otherwise, that the Contractor believes may reasonably result in either an increase or decrease in the Contract price or the time required for performance of any part of the Contract and shall take action as the

Contracting Officer directs. The Contractor's failure to provide such notification shall constitute a waiver of its right to seek an adjustment in the Contract price or time required for such performance.

- (g) In no event shall the Contractor be entitled to payment for change orders, additional or extra supplies or services or other modifications to this Contract, unless the Contracting Officer authorizes, it in writing.

2. PRICING OF ADJUSTMENTS

- (a) The parties agree that, notwithstanding any interpretation of contract cost principles to the contrary, the Authority will not be liable for interest, however represented, on or as a part of any claim, request, proposal or adjustment, including equitable adjustments, whether it arises under the Contract or otherwise.
- (b) As part of its proposal for any Contract modification requiring a price adjustment in excess of \$100,000, the Contractor shall submit to the Contracting Officer, cost or pricing data under the conditions described in this paragraph and certify that, to the best of its knowledge and belief, the cost or pricing data submitted is accurate, complete and current as of the date submitted. At the Contracting Officer's discretion, the Contractor, may be required to submit cost or pricing data for price adjustments less than \$100,000.
- (c) The Contractor shall ensure that this article is included in all subcontracts at any tier, if the value of the subcontracted work exceeds \$100,000.

3. ACCOUNTING AND RECORD KEEPING FOR ADJUSTMENTS

- (a) *Applicability.* This article shall apply to any adjustment in the Contract price initiated by the Contractor or the Authority.
- (b) *Forward Price Adjustments.* Unless waived in writing, the Contractor shall furnish to the Contracting Officer, a proposed price adjustment in advance of performance of any work for which the price adjustment is requested. The Contractor shall generate such records as are necessary to substantiate all elements of the proposed adjustment, which records shall be specifically segregated and identified in the Contractor's accounting system as being applicable to the pricing adjustment request.
- (c) *Post Price Adjustments.* This paragraph shall be applicable to price adjustments that either (i) are expected to exceed \$50,000; or (ii) arise in connection with a Contract with a base sum in excess of \$1,000,000. In addition to the records required pursuant to paragraph (b) above, if pricing of an adjustment under this Contract is not agreed upon between the parties prior to the commencement of work for which the pricing adjustment is requested, the Contractor and any subcontractor engaged in work for which the pricing adjustment is requested, shall maintain accounts and original cost records specifically segregated and identified by job order or other appropriate accounting categories that the Contracting Officer approves for all incurred, segregable costs related to the work for which the pricing adjustment is requested. The Contractor shall maintain accounts and records that segregate and account for the costs of all work associated with that part of the Contract for which the pricing adjustment is requested. The Contractor shall allocate the costs so accumulated between: (1) work required under the base Contract; (2) work requested to be

reimbursed under the pricing adjustment; and (3) work claimed or determined to be related to other actual or proposed adjustments, including but not limited to, changes orders, differing site conditions, and the like. The accounts and records so established shall accumulate such costs under logical costs groups, such as material, labor, equipment, subcontracts, field overhead and the like. The Contractor shall record these costs on a form approved by the Contracting Officer.

- (e) *Access to Records.* As a condition to the Authority's obligation to consider any claim for a potential price adjustment under any provision of this Contract, the Contractor shall grant the Authority access to review and ascertain the validity of the accounting records being maintained for segregation of costs, including base cost records, and to audit any such costs as the Contracting Officer deems appropriate.

- (f) *Limitation on Price Adjustments.* If the Contractor or any subcontractor fails to generate, maintain, or make available any records required under this Contract, in addition to any rights to which the Authority may be entitled, the Contracting Officer shall determine whether such failure is willful, deliberate or otherwise precipitated by the Contractor's bad faith, in which case the Contractor shall not be entitled to any price adjustment for the work in question. Where the Contracting Officer determines that the failure was not the result of the Contractor's bad faith, he or she shall determine the reasonable direct costs of the work for which records are not available, and add a single mark-up for indirect expenses not to exceed ten percent (10%) of the direct costs based on:
 - (1) An audit of the Contractor's or subcontractor's records made available to the Authority; and/or

 - (3) The Authority's estimate as the Contracting Officer adopts or modifies.

- (g) In no event shall the Contractor and/or subcontractor be allowed any profit on claimed work for which records are not made available in accordance with its obligations under this Contract.

- (h) *Flow-down clause.* The Contractor shall ensure the inclusion of this article in all subcontracts issued under this Contract, modified as necessary, for proper identification of the contracting parties and the Contracting Officer.

CHAPTER V – INVOICES/PAYMENTS/ DEDUCTIONS

1. BILLING AND PAYMENT

- (a) The Authority shall pay and the Contractor shall accept the amounts set forth in the Price Schedule as full compensation for all costs and expenses of completing the this Contract, including, but not limited to, all labor and material required to be furnished under this Contract, all overhead, expenses, fees and profits including the cost of providing storage yards or facilities; all risks and obligations set forth in this Contract; any applicable fees or taxes; and all expenses due to any unforeseen difficulties encountered in the prosecution of the work.
- (b) Payments will be made following acceptance of the services or supplies to be provided under this Contract and after receipt and acceptance of a properly completed invoice. WMATA will accept the submittal of invoices in one of the following methods:
 - (1) Email: Invoices may be submitted through email at: apinvoice@wmata.com. Please submit one (1) invoice and supporting documentation per PDF attachment. You may submit more than one PDF attachment per email.
 - (2) Fax: Invoices may be submitted via the following number: 1-866-534-9063. Please submit one (1) invoice and all supporting documentation for this invoice per fax.
 - (3) Regular Mail: Invoices may be submitted via U.S. Postal Service to the following address:

WMATA-Accounts Payable
PO Box 1910
Beltsville, MD 20704-1910

Note: This address is only for vendor invoices. Correspondence should not be sent to this address.
- (c) Invoices shall contain the vendor's name, a unique invoice number for each shipment or service, invoice date, payment terms, total invoice amount, "remit to" address, purchase order number, freight terms, description of each item being invoiced, quantity, unit item cost, extended cost by item, total freight/handling costs, and contact name and email address. Final invoices must clearly be marked "Final" and cite the amount of this Contract, amount previously paid, and the balance due.
- (d) The Authority shall remit payment, generally within thirty (30) days of its receipt and acceptance of an invoice satisfying the requirements of paragraphs (b) and (c), at the prices stipulated in the Contract for supplies delivered and accepted or services rendered and accepted, less any applicable deductions.

2. PRICE REDUCTION FOR DEFECTIVE COST OR PRICING DATA – MODIFICATIONS

If the Contracting Officer determines that any price, including profit or fee, previously negotiated in connection with any modification to this Contract involving changes in cost plus applicable profit in excess of \$100,000 was based upon the Contractor's or subcontractor's

cost or pricing data that was not complete, accurate or current, such that the amount the Authority paid to the Contractor for such price adjustment was greater than the Contractor would have been entitled to, based upon accurate and complete data, the Authority shall be entitled to an adjustment in an amount equal to such overpayment. The Authority's rights hereunder shall be in addition to any other rights it may have under this Contract, at law or in equity.

3. SUBCONTRACTOR PAYMENTS

- (a) The Contractor shall, under this Contract, establish procedures to ensure timely payment of amounts due pursuant to the terms of its subcontracts. The Contractor shall pay each subcontractor for satisfactory performance of its contract, or any billable portion thereof, no later than ten (10) days from the date of the Contractor's receipt of payment from the Authority for work by that subcontractor. The Contractor shall also release, any retention withheld from the subcontractor within ten (10) days of satisfactory completion of all work required by that subcontractor.
- (b) The Contractor shall certify on each payment request to the Authority that payment has been or will be made to all subcontractors in accordance with paragraph (a) above. The Contractor shall notify the Contracting Officer with each payment request, of any situation where scheduled subcontractor payments have not been made.
- (c) In the event of a claim by any subcontractor that the Contractor has failed to comply with the terms of this article, the Contractor agrees to fully cooperate in any Authority investigation, and, if deemed appropriate by the Authority, to implement appropriate remedial measures to ensure future compliance.
- (d) The Contractor agrees that the Contracting Officer may provide information that he or she deems appropriate in response to inquiries from subcontractors seeking to determine the status of the Authority's payments to the Contractor.
- (e) Nothing contained in this article or elsewhere in this Contract shall create a Contractual relationship between the Authority and any subcontractor, shall make the subcontractor an intended beneficiary of this Contract or shall alter or affect traditional concepts of privity of contract.

4. GARNISHMENT OF PAYMENTS

Payments under this Contract shall be subject to any garnishment, attachment orders, and/ or levies issued pursuant to the laws of the United States, Maryland, Virginia, and the District of Columbia.

CHAPTER VI – CONTRACT TERMINATION/STOP WORK ORDERS/DISPUTES

1. STOP WORK ORDERS

- (a) The Contracting Officer may, at any time, by written order to the Contractor, require the Contractor to stop all, or any part of the work for a period of up to ninety (90) days after the order is delivered to the Contractor, and for any further period to which the parties may agree. The order shall be specifically identified as a “Stop Work Order” (“SWO”) issued under this article. Upon receipt of the SWO, the Contractor shall immediately comply with its terms and take all reasonable steps to minimize the incurrence of costs allocable to the work covered by the SWO during the period of work stoppage. Within a period of ninety (90) days after an SWO is delivered to the Contractor, or within any extension of that period to which the parties agree, the Contracting Officer shall either:
 - (1) Cancel the SWO; or
 - (2) Terminate the work covered by the SWO as provided in this Contract, as appropriate.
- (b) If a SWO is cancelled or expires, the Contractor shall resume work. The Contracting Officer shall make an equitable adjustment to the delivery schedule or Contract price, or both, and shall modify the Contract in writing if, in his or her judgment:
 - (1) The SWO results in an increase in the time required for, or in the Contractor's cost properly allocable to, the performance of any part of this Contract; and
 - (2) The Contractor submits a written claim for such adjustment within thirty (30) days after the end of the period of work stoppage. At the Contracting Officer's discretion, the Authority may act upon any claim submitted at any time before final payment under this Contract.
- (c) If an SWO is not cancelled and the work covered by the Contract is terminated for the convenience of the Authority, the Contracting Officer shall allow reasonable costs, if any, resulting from the SWO in arriving at the termination settlement pursuant this Contract.

2. TERMINATION FOR DEFAULT

- (a) The Contractor shall be in default if it commits a breach of any of its obligations under this Contract deemed material by the Contracting Officer. In addition to those instances specifically referred to in this Contract, the Contractor shall be in default in the following circumstances:
 - (1) It fails to begin, or abandons, the work of the Contract in accordance with the contractual requirements;
 - (2) It fails to deliver the supplies or perform the services within the time specified in this Contract or any extension that the Contracting Officer approves;

- (3) It fails to make progress in a manner that the Contracting Officer deems unreasonable so as to endanger performance of this Contract; or
 - (4) In the view of the Contracting Officer, the Contractor is willfully violating this Contract or is not executing it reasonably and in good faith.

- (b) In the event the Contractor's material breach pursuant to paragraph (a), the Contracting Officer is authorized to direct a written notice (a "Notice to Cure") to the Contractor, specifying the nature of the breach and stating that the Contractor has ten (10) days to cure the breach or such additional time as the Contracting Officer authorizes. If the Contractor fails to cure the breach in the time specified in the Notice to Cure, the Contracting Officer may terminate this Contract, in whole or designated part, for default after providing written notice to the Contractor.

- (c) Upon receipt of a "Notice of Default," the Contractor shall immediately cease performance of the work so terminated. The Authority shall have the right to take any action necessary to complete the work, including performing the work itself, or contracting with another party to do so. In the event the work is completed directly by the Authority or by a third party, the Contractor shall be liable for the additional costs and expenses necessary to complete the work, including, without limitation, labor, material costs, plant costs, tooling expenses, and equipment and property costs. The Authority may deduct the costs and expenses so charged and pay them out of any monies otherwise payable to the Contractor. Nothing contained herein shall be deemed to relieve the Contractor of its continuing obligation to perform any portion of this Contract that was not terminated.

- (d) The Contracting Officer may, at his or her sole discretion, waive a default by the Contractor, but such waiver shall not be deemed a waiver of any subsequent default.

- (e) Upon any termination for default, the Contracting Officer may require the Contractor to transfer title and deliver to the Authority, any completed or partially completed supplies, components (including data and intellectual property) and Contract rights that the Contractor has specifically produced or acquired for the terminated portion of this Contract. At the Contracting Officer's direction, the Contractor shall also protect and preserve property in its possession in which the Authority may have an interest.

- (f) Upon any termination for default, the Authority shall pay for supplies delivered and accepted and/or services rendered and accepted in accordance with the terms of this Contract. The Authority may also compensate the Contractor for actions that it reasonably takes at the Contracting Officer's direction for the protection and preservation of property. The Authority may withhold from these payments any sum that the Contracting Officer determines to be necessary to protect the Authority against loss because of outstanding or claimed liens, or pending or anticipated claims under the Contract.

- (g) If, at any time following the Authority's issuance of a termination for default hereunder, it is determined that the Contractor was not in default or that the default was excusable, the termination shall be converted to a termination for convenience and the rights and obligations of the parties shall be determined in accordance with the "Termination for Convenience" article of this Contract.

- (h) Any dispute or disagreement regarding any issue arising under this article shall be subject to adjudication in accordance with the “Disputes” article of this Contract. In no event shall the Authority’s issuance of a “Notice to Cure” pursuant to paragraph (b) be the basis of a dispute pursuant to the “Disputes” article or otherwise be subject to further review under this Contract or otherwise. The pendency of any dispute shall not constitute a basis for the delay or suspension of, or otherwise affect the Authority’s right to proceed in accordance with this article, including without limitation, its right to complete the work or its right to insist that the Contractor complete any portion of the Contract that was not terminated.
- (i) The Authority’s rights and remedies in this article are in addition to any other rights and remedies provided under this Contract, at law or in equity.

3. TERMINATION FOR CONVENIENCE

- (a) The Contracting Officer may terminate this Contract in whole, or in part, if he or she determines that a termination is in the Authority’s interest. The Contracting Officer shall terminate by delivering a “Notice of Termination” to the Contractor specifying the extent of termination and its effective date.
- (b) Upon receipt of a Notice of Termination, except as the Contracting Officer otherwise directs, the Contractor shall immediately:
 - (1) Stop work as specified in the Notice of Termination;
 - (2) Complete performance of the work not terminated;
 - (3) Place no further subcontracts or orders for materials, services, or facilities, except as necessary to complete the remaining portion of the Contract;
 - (4) Terminate all subcontracts to the extent that they relate to the work terminated;
 - (5) Assign to the Authority, as directed by the Contracting Officer, all of the Contractor’s right(s), title, and interest(s) under the subcontracts terminated. The Authority shall have the right to settle or pay any termination costs arising out of the subcontracts and have no further liability to the Contractor for the work that was the subject of such subcontracts;
 - (6) With the Contracting Officer’s approval, settle all outstanding liabilities and settlement costs arising from the termination of subcontracts;
 - (7) As the Contracting Officer directs, transfer title and deliver to the Authority:
 - (i) Parts, work in process, completed work, supplies, and other material produced or acquired for the work terminated; and
 - (ii) The completed or partially completed plans, drawings, information and other property that would have been required to be furnished to the Authority, if the Contract had been completed.

- (8) Take any action that may be necessary, or as the Contracting Officer may direct, for the protection and preservation of the property related to this Contract that is in the Contractor's possession and in which the Authority has or may acquire an interest;
- (9) Use its best efforts to sell, as the Contracting Officer authorizes, any property of the types referred to in paragraph (b)(7). The Contractor is not required to extend credit to any purchaser and may acquire the property under the conditions that the Contracting Officer prescribes. The proceeds of any transfer or disposition will be applied to reduce payments to be made by the Authority under this Contract, credited to the price or cost of the work, or paid in any other manner that the Contracting Officer directs.
- (c) The Contractor shall submit complete termination inventory schedules not later than one hundred twenty (120) days from the effective date of termination, unless the Contracting Officer extends the time in writing.
- (d) As soon as reasonably practicable, and not later than twenty (20) business days following the Authority's issuance of a "Notice of Termination" pursuant to paragraph (a), the Contractor shall submit a termination settlement proposal (TSP) to the Contracting Officer in the form that he or she prescribes, detailing the costs to which it asserts entitlement pursuant to this article. If the Contractor fails to submit the TSP within the time prescribed, the Contracting Officer may determine, on the basis of information available, the amount, if any, due to the Contractor as a result of the termination and shall pay the amount so determined.
- (e) Following submission of the Contractor's TSP pursuant to paragraph (d), the parties shall agree upon the whole, or any part, of the amount to be paid or remaining to be paid as a result of the termination. The amount may include a reasonable allowance for profit on work completed. In no event shall the total amount to be paid to the Contractor pursuant to this article exceed the total Contract price as reduced by (1) payments previously made and (2) the Contract price of the remaining work, not terminated.
- (f) If the parties disagree on the whole amount to be paid because of the termination, the Contracting Officer shall pay the Contractor the amounts that he or she determines as follows, but without duplication of any amounts agreed upon under paragraph (e):
 - (1) The Contract price for completed supplies or services that the Authority accepted [or sold or acquired under paragraph (b)(9)] not previously paid for, adjusted for any saving of freight and other charges.
 - (2) The total of:
 - (i) The costs incurred prior to termination in the performance of the work terminated, including initial costs and preparatory expenses allocable thereto, but excluding any costs attributable to items compensated or to be paid for under subparagraph (f)(1);
 - (ii) Termination costs under terminated subcontracts that are properly chargeable to the terminated portion of this Contract, if not excluded in subparagraph (f) (2) (i); and

- (iii) A sum, representing profit on the items described in subparagraph (f)(2)(i) that the Contracting Officer determines to be fair and reasonable pursuant to Section 49.202 of the Federal Acquisition Regulation (FAR), in effect on the date of this Contract. If it appears that the Contractor would have sustained a loss on the entire Contract had it been completed, the Contracting Officer shall allow no profit under this subparagraph and shall reduce the settlement to reflect the projected rate of loss.
- (3) The reasonable indirect costs of settlement of the work terminated, including:
 - (i) Accounting, legal, clerical, and other expenses reasonably necessary for the preparation of TSP(s);
 - (ii) The termination and settlement of subcontracts (excluding the amounts of such settlements); and
 - (iii) Storage, transportation, and other costs incurred, reasonably necessary for the preservation, protection, or disposition of the termination inventory.
- (g) Except for normal spoilage, and except to the extent that the Authority expressly assumed the risk of loss, the Contracting Officer shall exclude from the amounts payable to the Contractor under paragraph (f), the fair value, as he or she determines of property that is unavailable or damaged and undeliverable to the Authority or to a third party.
- (h) The cost principles and procedures of FAR Part 31 in effect on the date of this Contract, shall govern all costs claimed, agreed to, or determined under this article, except that the Authority shall not be obligated to pay interest, however represented, on any claimed costs.
- (i) The Contractor shall have the right to appeal, under the "Disputes" article, from the Contracting Officer's determination under paragraphs (d) or (f). The Contractor's failure to submit the TSP within the time provided in paragraph (d), or to timely request an extension thereof, shall constitute a waiver of its right to appeal the Contracting Officer's determination pursuant to the "Disputes" article or any otherwise applicable Contractual, legal or equitable remedy.
- (j) In determining any sum due to the Contractor under this article, there shall be deducted:
 - (1) All unliquidated advances or other payments to the Contractor under the terminated portion of this Contract;
 - (2) The value, as the Contracting Officer, reasonably determines, of any claim that the Authority has against the Contractor under this Contract, including any third-party claim, if the Contracting Officer is not satisfied that sufficient insurance coverage is in place; and

- (3) The agreed price for, or the proceeds of sale of, materials, supplies, or other items that the Contractor procured or sold under this article, not recovered by or credited to the Authority.

- (k) If the Contractor asserts that any partial termination has rendered enforcement of the remainder of this Contract at the remaining Contract price inequitable, the Contractor may file a proposal with the Contracting Officer for an adjustment to the price(s) for the continued portion of this Contract. Such proposal shall be submitted within ninety (90) days from the effective date of termination, unless the Contracting Officer extends it in writing, and shall be accompanied by appropriate supporting documentation.

- (l) The Contractor's responsibilities and obligations under this article shall remain in full force and effect notwithstanding the pendency of any dispute or other delay relating to determination of the appropriate price adjustment or any other issue arising from the termination for convenience.

- (m) Unless otherwise provided in this Contract or by statute, the Contractor and all subcontractors whose work is encompassed in the termination settlement shall maintain all records and documents relating to the terminated portion of this Contract for three (3) years after final settlement. This includes all books and other evidence bearing on the Contractor's costs and expenses under this Contract. The Contractor shall make these records and documents available to the Authority, its governing jurisdictions and any other Federal, state, or local entities providing funding for this Contract, and to the U.S. Comptroller General or the agents or representatives of any of them, at the Contractor's office, at all reasonable times, without any direct charge.

4. ASSIGNMENT

- (a) Except as otherwise provided in this article, the Contractor shall not transfer any of its rights and obligations under this Contract to third parties without the Contracting Officer's prior, written consent. The Contracting Officer may recognize a third party as successor in interest to this Contract in the event of a transfer of all or substantially all of the Contractor's assets, a change in a division of the Contractor involved in the performance of this Contract, or if a parent company provides performance guarantee(s) under this Contract, (i.e., sales of assets, transfer of assets pursuant to merger or consolidation, or incorporation of a proprietorship or partnership). Such recognition shall be at the Contracting Officer's discretion after review of the facts and circumstances surrounding each request. The Contracting Officer, at his or her discretion, may conduct an evaluation of the successor party's capability to perform this Contract in the same manner and to the same extent that he or she conducted a responsibility determination as part of the original solicitation for this Contract. Should the Contracting Officer, for any reason, not recognize such a successor in interest, he or she may terminate this Contract.

- (b) Any attempt to transfer by assignment that the Contracting Officer does not authorize shall constitute a material breach of this Contract and the Contracting Officer may terminate this Contract in accordance with the "Termination for Default" article set forth in this Contract.

- (c) Nothing contained herein shall be deemed to preclude the Contractor's assignment of claims for monies due or to be become due to it under this Contract to a bank, trust

company or other financing institution, including any Federal lending agency, upon written notice of such assignment to the Contracting Officer.

5. DISPUTES

- (a) Any dispute concerning a question of fact arising under or related to this Contract that is not disposed of by agreement, shall be decided by the Contracting Officer, who shall reduce his/her decision to writing and mail or otherwise furnish a copy thereof to the Contractor. The Contracting Officer's decision shall be final and conclusive unless, within thirty (30) calendar days from the date of its receipt, the Contractor mails or otherwise furnishes to the Contracting Officer, a written notice of appeal addressed to the Authority's Board of Directors. Such notice must indicate that an appeal is intended and must reference the decision and Contract number. The decision of the Board of Directors or its duly authorized representative for the determination of such appeals shall be final and conclusive, unless in proceedings initiated by either party for review of such decision in a court or board of competent jurisdiction, it determines that the decision was fraudulent, or capricious, or arbitrary, or so grossly erroneous as necessarily to imply bad faith, or not supported by substantial evidence. In any appeal under this article, the appellant shall be afforded an opportunity to be heard and offer evidence in support of its appeal. Pending final decision of a dispute hereunder, the Contractor shall proceed diligently with the performance of this Contract in accordance with the Contracting Officer's decision. The Armed Services Board of Contract Appeals (ASBCA) is the Board of Directors' authorized representative for final decisions on an appeal.

- (b) This "Disputes" article does not preclude consideration of questions of law in connection with decisions provided for in paragraph (a) above. Nothing in the Contract, however, shall be construed as making final the decisions of the Board of Directors or its representative on questions of law.

CHAPTER VII – INDEMNIFICATION/INSURANCE/RISK OF LOSS

1. INDEMNIFICATION

- (a) Contractor shall indemnify, defend and hold harmless the Authority, its Board members, employees and agents, from all liabilities, obligations, damages, penalties, claims, costs, charges and expenses (including reasonable attorneys' fees), of whatsoever kind and nature for injury, including personal injury or death of any person or persons, and for loss or damage to any property, including the property of the Contractor and the Authority, occurring in connection with, or in any way arising out of the use, occupancy and performance of the work and/or any acts in connection with activities to be performed under this Contract, unless the loss or damage is due to the sole negligence of the Authority. Nothing in the preceding sentence shall be deemed to relieve Contractor from ultimate liability for any of its obligation under this Contract.
- (b) Contractor shall indemnify, defend and hold harmless the Authority, its Board members, employees and agents, against any and all claims, liabilities, losses, demands, damages, penalties, costs, charges, remedial costs, environmental claims, fees or other expenses including attorneys' fees, related to, arising from or attributable to any effluent or other hazardous waste, residue, contaminated soil or other similar material discharged from, removed from, or introduced on, about or under the job site. The foregoing indemnity does not apply to loss or damage due to preexisting conditions, whether known or unknown.
- (c) If any action or proceeding relating to this indemnification is brought against the Authority, then upon written notice from the Authority to the Contractor, the Contractor shall, at its own expense, resist or defend such action or proceeding by counsel approved by the Authority in writing. No approval of counsel shall be required where the cause of action is resisted or defended by counsel of any insurance carrier obligated to resist or defend the same. The Authority reserves the right to use its own counsel under this indemnity at Contractor's sole cost and expense.
- (d) Contractor understands and agrees to its responsibility to provide indemnification to the Authority pursuant to this clause. The provision of insurance, while anticipated to provide a funding source for this indemnification, is in addition to any indemnification requirements. The failure of Contractor's insurance to fully fund any indemnification shall not relieve the Contractor of any obligation hereunder.

2. INSURANCE REQUIREMENTS

I. MINIMUM REQUIRED INSURANCE: MINIMUM LIMITS OF INSURANCE

INSURANCE TYPE	LIMITS	BASIS
Workers' Compensation	Statutory	
Employers' Liability	\$500,000	Each Accident
	\$500,000	Disease Policy Limit
	\$500,000	Disease Each Employee
Commercial General Liability		
	\$1,000,000	Each Occurrence Limit
	\$1,000,000	General Aggregate Limit
	\$1,000,000	Products-Completed Operations Limit
Business Auto Liability		
	\$1,000,000	Combined Single Limit

Railroad Protective Liability Insurance (RRP)		
	\$2,000,000	Each Occurrence Limit
	\$6,000,000	Aggregate Limit

II. MINIMUM REQUIRED INSURANCE: MINIMUM INSURANCE COVERAGES AND COVERAGE PROVISIONS

- 1) Contractor is required to maintain the prescribed insurance outlined in this Exhibit A during the entire period of performance under this contract. Notice to Proceed (NTP) will not be issued until all required insurance has been accepted by WMATA.

- 2) The prescribed insurance coverage and limits of insurance are minimum required coverages and limits. Contractor is encouraged, at its sole cost and expense, to purchase any additional insurance coverages and or limits of insurance that Contractor deems prudent and necessary to manage risk in the completion of this contract.
- 3) Upon written request from WMATA, contractor shall provide copies of any requested insurance policies, including applicable endorsements, within five (5) business days of such request.
- 4) Receipt, review or communications regarding certificates of insurance (COI), insurance policies, endorsements, or other materials utilized to document compliance with these Minimum Insurance Requirements does not constitute acceptance by WMATA.
- 5) Insurance companies must be acceptable to WMATA and must have an A. M. Best rating of at least A- VII.
- 6) Unless otherwise noted, "Claims Made" insurance policies are not acceptable.
- 7) Any insurance policy utilizing a Self-Insured Retention (SIR) requires written approval from WMATA.
- 8) Contractor must incorporate these Minimum Insurance Requirements into contract requirements of all subcontractors of every tier; however, Contractor, at its sole peril, may amend these Minimum Insurance Requirements for its subcontractors, but doing so does not relieve Contractor from its respective liability to WMATA.
- 9) Compliance with these Minimum Insurance Requirements does not relieve Contractor from Contractor's respective liability to WMATA, even if that liability exceeds the Minimum Insurance Requirements.

III. COVERAGE-SPECIFIC REQUIREMENTS

Commercial General Liability

- 1) Commercial General Liability (CGL) shall be written on ISO Occurrence Form CG0001 (12/04) or its equivalent. Equivalency determination shall be made in WMATA's sole and unreviewable discretion.
- 2) Required minimum limits of coverage may be achieved through a combination of the aforementioned CGL coverage form and an Umbrella/Excess Liability coverage form(s), provided that the Umbrella/Excess Liability coverage form(s) provides the same or broader coverage than the prescribed CGL coverage form.
- 3) Policy shall be endorsed with Additional Insured Endorsement(s) in compliance with the "Additional Insured" Section below.
- 4) Policy shall be endorsed with a Waiver of Subrogation Endorsement(s) in compliance with the "Waiver of Subrogation" section below.
- 5) The definition of "Insured Contract" shall be modified to provide coverage for contractual liability for any contracts involving construction or demolition operations that are within 50 feet of a railroad, and sidetrack agreements. Evidence of this modification shall be provided to WMATA along with all other required documents.

- 6) Defense Costs (Allocated Loss Adjustment Expense) must be included and outside of the policy limits for all primary liability and Umbrella/Excess Liability policies.

Business Auto Liability

- 1) Business Auto Liability insurance shall be written on ISO Business Auto Coverage Form CA 00 01 03 06, or its equivalent. Equivalency determination shall be made in WMATA's sole and unreviewable discretion.
- 2) Policy shall be endorsed with Additional Insured Endorsement(s) in compliance with the "Additional Insured" Section below.
- 3) Policy shall be endorsed with a Waiver of Subrogation Endorsement(s) in compliance with the Waiver of Subrogation" section below.
- 4) Business Auto Liability minimum Combined Single Limit requirements may be obtained through the combination of a primary business auto liability policy and an Umbrella/Excess Liability policy provided that the Umbrella/Excess Liability policy complies with items 2 and 3 above.
- 5) MCS-90 Endorsement for work involving the transportation or disposal of any hazardous material or waste off of the jobsite. If the MCS-90 Endorsement is required, minimum auto liability limits of \$5,000,000 per occurrence are also required as is form CA 99 48, broadened coverage for pollution liability.
- 6) Non-Owned Disposal Site (NODS) Endorsement providing coverage for the Contractor's legal liability arising out of pollution conditions at the designated non-owned disposal site.

Railroad Protective Liability

Railroad Protective Liability Insurance is required for any work within 50 feet of WMATA railroad tracks or work within WMATA rail stations.

- 1) The Railroad Protective Liability (RRP) policy must be on a policy form and with an insurance company that is acceptable to WMATA.
- 2) WMATA shall be the Named Insured.
- 3) The original RRP policy shall be sent to WMATA at following address:

Washington Metropolitan Area Transit Authority
Office of Insurance, Room 8F
600 Fifth Street, NW
Washington, DC 20001

WMATA Blanket RRP Program Option

WMATA may offer to waive the requirement for the Contractor to procure RRP if 1) the work qualifies for coverage under WMATA's blanket RRP program, and 2) the Contractor prepays the RRP waiver fee which shall be determined by the rate schedule promulgated by the insurer

in effect as of the effective date of this Contract. Contractor shall be advised of, and pay the applicable waiver fee.

IV. OTHER

Additional Insured

- 1) Contractor and subcontractors of every tier are required to add WMATA and WMATA Board of Directors as additional insured on all required insurance including excess liability policies, with the exception of Workers' Compensation and Professional Liability.
- 2) Coverage provided to Additional Insured shall be primary and non-contributory to any other insurance available to the Additional Insured, including coverage afforded to the WMATA as an additional insured by subcontractors, and from other third parties.
- 3) Coverage provided to any Additional Insured shall be for claims arising out of both ongoing operations and products and completed operations hazard.
- 4) Coverage available to any Additional Insured under the products and completed operations hazard can only be limited to the applicable statute of repose in the jurisdiction(s) where the contract scope of work takes place.
- 5) Commercial General Liability and Umbrella/Excess Liability forms must provide defense coverage for additional insureds. The Additional Insured Endorsement shall provide coverage for Ongoing as well as Products and Completed Operations with no limitation on when claims can be made.

Waiver of Subrogation

Contractor and subcontractors of every tier are required to have all insurance policies except Professional Liability endorsed to waive the respective insurance company's rights of recovery against WMATA, and the WMATA Board of Directors.

- 1) Waiver shall be provided on an endorsement that is acceptable to WMATA.

Certificate of Insurance (COI)

Contractor shall provide WMATA an ACORD Certificate of Insurance (COI) and copies of all required endorsements as evidence that the insurance requirements of this Section have been satisfied. Certificates of Insurance shall be sent to WMATA.

The Certificate Holder box should read:

Washington Metropolitan Area Transit Authority
Office of Insurance, Room 8F
600 Fifth Street, NW
Washington, DC 20001

Additionally:

- 1) Proposed material modifications to required insurance, including notice of cancellation, must be received by WMATA in writing at least 30 days prior to the effective date of such change or cancellation.
- 2) WMATA's receipt of copies of any COI, policy endorsements or policies does not relieve Contractor of the obligation to remain in compliance with the requirements of this Section at all times. Contractor's failure to comply with these insurance requirements shall constitute a material breach of this Contract.
- 3) Receipt of the COI does not constitute acceptance of the insurance outlined above.

3. TITLE AND RISK OF LOSS

- (a) Unless this Contract specifically provides for earlier passage of title to deliverables (including documents, reports, and data) or other items resulting from this Contract, title shall pass to the Authority upon acceptance, regardless of when or where the Authority takes physical possession. Risk of loss, theft, destruction of, or damage to, such deliverables or other items remains with the Contractor, until the transfer of title or at the time when the Authority takes physical possession, whichever is later.
- (b) In the event of loss or damage to any deliverable or other item of work, prior to the time when the Authority takes physical possession, the Contractor agrees to repair or replace it as soon as reasonably possible to restore the item to the same condition that pre-existed the loss or damage, in accordance with all requirements of this Contract, without cost to the Authority. Nothing contained herein shall be deemed to require the Contractor's repair or replacement of any loss or damage caused solely by the Authority's acts or omissions.

CHAPTER VIII – INTELLECTUAL PROPERTY RIGHTS

1. PATENT INDEMNITY

The Contractor shall indemnify the Authority and its Board members, agents and employees against liability, including costs, for infringement of any United States patent (except a patent issued upon an application that is now or may hereafter be withheld from issue pursuant to a Secrecy Order under 35 U.S.C. § 181) arising out of the manufacture or delivery of supplies, the performance of services, or the construction, alteration, modification, or repair of real property under this Contract. If the Contractor is not the original equipment manufacturer (OEM) for a manufactured product purchased under this Contract, it will ensure that the patent holder provides indemnity to WMATA under this article. This indemnity shall not apply unless the Contractor is informed as soon as practicable by the Authority of the suit or action alleging such infringement, and is given such opportunity as is afforded by applicable laws, rules, or regulations to participate in the defense thereof. Such indemnity shall not apply to:

- (1) An infringement resulting from compliance with the Contracting Officer's specific written instructions directing a change in the supplies to be delivered or in the materials or equipment to be used, or directing a manner or performance of the Contract not normally used by the Contractor;

- (2) An infringement resulting from addition to, or change in, such supplies or components furnished or construction work performed that was made subsequent to delivery or performance by the Contractor; or
- (3) A claimed infringement that is unreasonably settled without the Contractor's consent, unless required by final decree of a court of competent jurisdiction.

2. SET-OFF

The Authority has common law, equitable and statutory rights to set-off. These rights shall include, but are not limited to, the Authority's right to set-off any monies due to the Contractor under this Contract, by any amounts due and owing to the Authority with regard to, any Contract with the Authority, plus any amounts due and owing to the Authority for any other reason including, without limitation, tax delinquencies, fee delinquencies or monetary penalties relative thereto. The Authority shall exercise its set-off rights in accordance with applicable law and practices including, in cases of set-off pursuant to an audit, the finalization of such audit by the Authority, its representatives, or the Federal Government.

3. RIGHTS IN TECHNICAL DATA – LIMITED (N/A)

4. RIGHTS IN TECHNICAL DATA – UNLIMITED

- a. The term technical data as used in this article means technical writings, computer software, sound recordings, pictorial reproductions, drawings, or other graphic representations and works of a technical nature, whether or not copyrighted, that are specified to be delivered pursuant to this Contract. The term does not include financial reports, cost analyses, and other information incidental to Contract administration. "Computer software" as used in this article means computer programs, computer data bases, and documentation thereof.
- (b) The Authority or its designated representative shall have the right to use, duplicate or disclose technical data, including computer software, in whole or in part, in any manner and for any purpose whatsoever, and to have or permit others to do so that is contained in or derived from:
 - (1) Any manuals, instructional materials prepared for installation, operation, maintenance or training purposes;
 - (2) Technical data pertaining to end items, components or processes that were prepared for the purpose of identifying sources, sizes, configurations, mating and attachment characteristics, functional characteristics and performance requirements ("form, fit and function" data such as , specification control drawings, catalog sheets, and outline drawings Except for the computer software, it means data identifying sources, functional characteristics, and performance requirements, but specifically excludes the source code, algorithms, processes, formulae, and flow charts of the software.);

- (3) Other technical data that the Contractor or subcontractor , normally furnishes without restriction; ;
 - (4) Other specifically described technical data that the parties have agreed will be furnished without restriction;
 - (5) All computer software regardless of whether it is technical data as defined in this article, including the source code, algorithms, processes, formulae, and flow charts, that the Contractor developed or materially modified for the Authority or for which the Authority is required by Federal law or regulation to provide a royalty-free, irrevocable and nonexclusive license to the Federal government.
- (c) The Authority shall have the right to use, duplicate, or disclose technical data other than as defined in paragraph (a), in whole or in part. Such technical data shall not, without the written permission of the party furnishing such technical data, be:
- (1) Released or disclosed, in whole or in part, outside of the Authority,
 - (2) Used, in whole or in part, by the Authority for manufacturing, or
 - (3) Used by a party other than the Authority except for: (i) emergency repair or overhaul, (ii) where the item or process concerned is not otherwise reasonably available to the Authority to enable timely performance of this work, or (iii) administration of this Contract or the inspection of any products produced under it, where the third party has a written contract with the Authority to perform these efforts. In all cases described in this subsection, the release or disclosure outside of the Authority shall be subject to a nondisclosure agreement.
- (d) Technical data provided in accordance with paragraph (c) shall be identified with a legend that suitably recites this limitation. This article shall not impair the Authority's right to use similar or identical data acquired from other sources.
- (e) Where any item is purchased as a separate line item in this Contract, that purchase includes all integral parts of that item, including any computer software, source code, algorithms, processes, formulae, and flow charts. The Authority has full rights to use, duplicate or disclose any or all parts of the item, including computer software, in whole or in part, in any manner and for any purpose whatsoever, and to permit others to do so. Should disclosure of the computer software be required only under this paragraph, then the Contracting Officer may waive the provisions of this paragraph if he or she certifies in writing that the item is commercially available from multiple sources and will be fully compatible with existing Authority property.
- (f) Material covered by copyright:
- (1) The Contractor grants to the Authority, and to its Board members, agents and employees acting within the scope of their official duties, a royalty-free, nonexclusive and irrevocable license throughout the world for the Authority's purposes to publish, translate, reproduce, deliver, perform, dispose of, and to authorize others so to do, all technical data and computer software covered by subsection (b) (5) now or hereafter covered by copyright.

- (1) No such copyrighted matter shall be included in (i) technical data or (ii) computer software covered by subsection (b) (5) furnished hereunder without the written permission of the copyright owner for the Authority to use such copyrighted matter in the manner above described.

- (3) The Contractor shall report to the Authority promptly and in reasonable written detail each notice or claim of copyright infringement it receives regarding any technical data or computer software covered by subsection (b)(5) provided to the Authority.

- (g) Relation to patents: Nothing contained in this article shall imply a license to the Authority under any patent, or be construed as affecting the scope of any license or other right otherwise granted to the Authority under any patent.

- (h) Any dispute under this article shall be subject to the "Disputes" article of this Contract.

- (i) The Contracting Officer may retain from payment up to ten percent (10%) of the Contract price until final delivery and acceptance of the technical data defined in this Article and as required to be furnished by the Price Schedule or the Contract's specifications.

5. NOTICE AND ASSISTANCE REGARDING PATENT AND COPYRIGHT INFRINGEMENT [SUPPLIES]

- (a) The Contractor shall report to the Contracting Officer, promptly and in reasonable written detail, each notice or claim of patent or copyright infringement based on this Contract, once the Contractor is notified thereof.

- (b) In the event of any claim or suit against the Authority based on any alleged patent or copyright infringement arising out of this Contract or out of the use of any supplies furnished or services performed hereunder, the Contractor shall furnish to the Contracting Officer, all evidence and information in its possession pertaining to such suit or claim. Such evidence and information shall be furnished at the Contractor's expense since the Contractor has agreed to indemnify the Authority for such infringement claims.

- (c) This article shall be included in all subcontracts.

CHAPTER IX – ADDITIONAL COVENANTS/LEGAL REQUIREMENTS

1. NONDISCRIMINATION ASSURANCE

- (a) Nondiscrimination Assurance: In accordance with Title VI of the Civil Rights Act, as amended, 42 U.S.C. §2000 (d), section 303 of the Age Discrimination Act of 1975, as amended, 42 U.S.C. §6102, section 202 of the American with Disabilities Act of 1990, 42 U.S.C. §12132, D.C. law and Federal transit law at 49 U.S.C. §5332, the Contractor, sub-recipient, or subcontractor agrees that it will not discriminate against any employee or applicant for employment because of race, color, creed, religion, national origin, sex, age, sexual preference, gender identity and/or disability. In addition, the Contractor, sub-recipient, or subcontractor agrees to comply with applicable Federal implementing regulations and other regulations that FTA may issue.

- (b) Equal Employment Opportunity: The following equal employment opportunity requirements apply to this Contract.
 - (1) *Race, Color, Creed, National Origin, Sex.* In accordance with Title VII of the Civil Rights Act, as amended, 42 U.S.C. §2000(e), and Federal transit laws at 49 U.S.C. §5332, the Contractor agrees to comply with all applicable equal opportunity requirements of the U.S. Department of Labor (U.S. DOL) including, but not limited to "Office of Federal Contract Compliance Programs, Equal Employment Opportunity, Department of Labor, " 41 C.F.R. Part 60 *et seq.*, [implementing Executive Order No. 11246, "Equal Employment Opportunity," as amended by Executive Order No. 11375, "Amending Executive Order 11246 Relating to Equal Employment Opportunity," 42 U.S.C. § 2000(e) note], and with any applicable Federal statutes, executive orders, regulations, and Federal policies that may in the future affect construction activities undertaken in the course of this Contract. The Contractor agrees to take affirmative action to ensure that applicants are employed, and that employees are treated during employment without regard to their race, color, creed, national origin, sex or age. Such action shall include, but not be limited to, the following: employment, upgrading, demotion or transfer, recruitment or recruitment advertising, layoff or termination; rates of pay or other forms of compensation; and selection for training, including apprenticeship. In addition, the Contractor agrees to comply with any implementing requirements that FTA may issue.

 - (2) *Age.* In accordance with Section 4 of the Age Discrimination in Employment Act of 1967, as amended, 29 U.S.C. § 623 and Federal transit law at 49 U.S.C. § 5332, the Contractor agrees to refrain from discrimination against present and prospective employees for reason of age. In addition, the Contractor agrees to comply with any implementing requirements that FTA may issue.

 - (3) *Disabilities.* In accordance with section 102 of the Americans with Disabilities Act, as amended, 42 U.S.C. §12112, the Contractor agrees that it will comply with the requirements of U.S. Equal Employment Opportunity Commission, "Regulations to Implement the Equal Employment Provisions of the Americans with Disabilities Act," 29 C.F.R. Part 1630, pertaining to

employment of persons with disabilities. In addition, the Contractor agrees to comply with any implementing requirements that FTA may issue.

- (c) The Contractor also agrees to include all of these requirements in each subcontract financed, in whole or in part, with Federal assistance provided by FTA, modified only, if necessary, to identify the affected parties.
- (d) Failure by the Contractor, sub-recipient, or subcontractor to carry out these requirements is a material breach of this Contract, that may result in the termination or such other remedy as the Authority deems appropriate.

2. CONTRACT WORK HOURS AND SAFETY STANDARDS ACT- OVERTIME COMPENSATION

This Contract, to the extent that it is of a character specified in the Contract Work Hours and Safety Standards Act (40 U.S.C. §§ 327-333), is subject to the following provisions and to all other applicable provisions and exceptions of such Act and the regulations of the U.S. Secretary of Labor thereunder.

- (a) *Overtime requirements.* No Contractor or subcontractor contracting for any part of the Contract work that may involve the employment of laborers, mechanics, apprentices, trainees, watchmen, and guards shall require or permit any such employee in any workweek in which he or she is employed to work in excess of forty (40) hours in such work week on work subject to the provisions of the Contract Work Hours and Safety Standards Act unless such employee receives compensation at a rate not less than one and one-half (1 ½) times his or her basic rate of pay for all hours worked in excess of forty (40) hours in such work week.
- (b) *Violation. Liability for Unpaid Wages- Liquidated damages.* In the event of any violation of paragraph (a) the Contractor and any subcontractor responsible therefore shall be liable to any affected employee for his or her unpaid wages. In addition, such Contractor and subcontractor shall be liable to the Authority for liquidated damages. Liquidated damages shall be computed with respect to each individual laborer, mechanic, apprentice, trainee, watchman or guard employed in violation of paragraph (a) in the sum of \$10 for each calendar day on which such employee was required or permitted to be employed on such work in excess of his or her standard work week of forty (40) hours without payment of the overtime wages required by paragraph (a).
- (c) *Withholding for unpaid wages and liquidated damages.* The Contracting Officer may withhold from the Contractor, such sums as he or she determines to be necessary to satisfy any liabilities of such Contractor or subcontractor for unpaid wages and liquidated damages as provided in paragraph (b).
- (d) *Subcontracts.* The Contractor shall insert this article in all subcontracts at any tier. Contractor shall also require subcontractors to include this clause in any lower tier subcontracts. The Contractor shall be responsible for compliance by any and all subcontractors at every tier.

- (e) *Records.* The Contractor shall maintain payroll records containing the information specified in 29 C.F.R. § 516.2(a). Such records shall be preserved for three (3) years from the completion of this Contract.

3. WALSH-HEALEY PUBLIC CONTRACTS ACT (N/A)

4. DAVIS-BACON ACT (N/A)

(a)

(c)

5. COPELAND ANTI-KICKBACK ACT – (N/A)

(a)

6. CONVICT LABOR

- (a) Except as provided in paragraph (b), the Contractor shall not employ in the performance of this Contract any person undergoing a sentence of imprisonment imposed by any court of the Federal Government, a State, the District of Columbia, Puerto Rico, the Northern Mariana Islands, American Samoa, Guam or the U.S. Virgin Islands.

- (b) The Contractor is not prohibited from employing persons:

- (1) On parole or probation to work at paid employment during the term of their sentence;
- (2) Who have been pardoned or who have served their terms; or
- (3) Confined for violation of the laws of the Federal Government, the states, the District of Columbia, Puerto Rico, the Northern Mariana Islands, American Samoa, Guam, or the U.S. Virgin Islands who are authorized to work at paid employment in the community under the laws of such jurisdiction, if—

- (a) The worker is paid or is in an approved work or training program on a voluntary basis;
- (b) Representatives of the local union’s central bodies or similar labor union organizations have been consulted;
- (c) Such paid employment will not result in the displacement of employed workers, or be applied in skills, crafts, or trades where there is a surplus of available gainful labor in the locality, or impair existing contracts or services;
- (d) The rates of pay and other conditions of employment will not be less than those paid or provided for work of a similar nature in the locality where the work is being performed; and
- (e) The Attorney General of the United States has certified that the work-release laws or regulations of the jurisdiction involved are in conformity with the requirements of Executive Order 11755, as amended by Executive Orders 12608 and 12943.

7. COVENANT AGAINST CONTINGENT FEES

- (a) The Contractor warrants that no person or selling agency has been employed or retained to solicit or secure this Contract upon an agreement for a commission, percentage, brokerage or contingent fee, excepting bona fide employees or bona fide, established commercial or selling agencies maintained by the Contractor for the purpose of securing business. For breach of this warranty, the Authority shall have the right to terminate this Contract without liability or, in its discretion, to deduct from the Contract price, or otherwise recover, the full amount of such commission, percentage, brokerage, or contingent fee, if no fraud is suspected.
- (b) If fraud is suspected, the Authority's only remedy prior to final adjudication by a court of competent jurisdiction is to report the matter to WMATA's Office of Inspector General (OIG), the U.S. Department of Transportation's Office of Inspector General (DOT-OIG), the Offices of Inspectors General of any agency providing funding under this Contract and/or appropriate Federal, state and/or local law enforcement authorities.

8. SEAT BELT USE POLICY

The Contractor agrees to comply with terms of Executive Order No. 13043 "Increasing Seat Belt Use in the United States" and is encouraged to include these requirements in each subcontract awarded for work relating to this Contract.

9. SENSITIVE SECURITY INFORMATION

The Contractor must protect, and take measures to assure that its subcontractors at each tier protect, "sensitive information" made available during the course of administering an Authority contract or subcontract in accordance with 49 U.S.C. Section 40119(b) and implementing DOT regulations, "Protection of Sensitive Security Information," 49 CFR Part 15, and with 49 U.S.C. Section 114(s) and implementing Department of Homeland Security regulations, "Protection of Sensitive Security Information," 49 CFR Part 1520.

10. LAWS AND REGULATIONS

The Contractor shall be responsible to comply with any applicable State of Maryland, Commonwealth of Virginia, District of Columbia, Federal and local laws and regulations governing the services and/or supplies to be provided under this Contract. Further, the Contractor shall be responsible to obtain, at its own cost and expense, any and all licenses/permits required to transact business in any political jurisdictions where work will be performed.

11. HAZARDOUS MATERIAL IDENTIFICATION AND MATERIAL SAFETY DATA

- (a) The Contractor agrees to submit a Material Safety Data Sheet (U.S. Department of Labor Form OSHA-20), as prescribed in Federal Standard No. 313B, for all hazardous materials five (5) days before delivery of the material, whether or not listed in Appendix A of the Standard. This obligation applies to all materials utilized under this Contract that involve exposure to hazardous materials or items containing these materials.
- (b) "Hazardous material," as used in this clause, is defined in Federal Standard No. 313B, in effect on the date of this Contract.

- (c) Neither the requirements of this clause nor the Authority's acts or omissions shall relieve the Contractor of any responsibility or liability for the safety of Authority's, personnel or property.
- (d) Nothing contained in this article shall relieve the Contractor from complying with applicable Federal, state, and local laws, codes, ordinances, and regulations (including the requirement to obtain licenses and permits) in connection with hazardous materials.
- (e) The Authority's rights in data furnished under this Contract regarding hazardous materials are as follows:
 - (1) To use, duplicate and disclose any data to which this clause is applicable. The purposes of this right are to (a) apprise personnel of the hazards that they may be exposed to in using, handling, packaging, transporting, or disposing of hazardous materials (b) obtain medical treatment for those affected by the materials; and (c) have others use, duplicate, and disclose the data for the Authority for these purposes.
 - (2) To use, duplicate, and disclose data furnished under this article in precedence over any other provision of this Contract providing for rights in data.
 - (3) The Authority is not precluded from using similar or identical data acquired from other sources.
 - (4) The data shall not be duplicated, disclosed, or released outside of the Authority, in whole or in part, for any acquisition or manufacturing purpose, if the following legend is marked on each piece of data to which this clause applies -

"This data furnished under this Contract shall not be used, duplicated, or disclosed for any acquisition or manufacturing purpose without the Contracting Officer's permission. This legend shall be marked on any reproduction of this data."
 - (5) The Contractor shall not place any restrictive legend on any data that (i) the Contractor or any subcontractor previously delivered to the Authority without limitations; or (ii) should be delivered without limitations under the "Rights in Technical Data" clause.
 - (6) The Contractor shall insert this article including this paragraph, with appropriate changes in the designation of the parties, in subcontracts at any tier (including purchase designations or purchase orders) under this Contract involving hazardous materials.

12. LIVING WAGE

- (a) The Authority's Living Wage Policy and implementing regulations apply with respect to all contracts for services (including construction) awarded in an amount that exceeds \$150,000 in a twelve (12) month period. If this Contract meets those criteria, the following requirements are applicable:

- (b) The Authority's living wage rate is \$13.48 per hour, and may be reduced by the Contractor's per-employee cost for health insurance.
- (c) The Contractor shall:
 - (1) Pay the Authority's living wage rate, effective during the time the work is performed, to all employees who perform work under this Contract;
 - (2) Include this "Living Wage" article in all subcontracts that exceed \$150,000 in a twelve (12) month period awarded under this Contract;
 - (3) Maintain payroll records, in accordance with the requirements of this Contract, and include a similar provision in affected subcontracts that requires the subcontractor to maintain its payroll records for the same length of time; and
 - (4) Certify with each monthly invoice that the Authority's living wage rate was paid to affected employees, or if applicable, certify prior to Contract award or Contract extension, if any, that one or more of the exemptions in paragraph (d) below applies.
 - (5) The Contractor shall not split or subdivide this Contract, pay an employee through a third party, or treat an employee as a subcontractor or independent contractor to avoid compliance with this "Living Wage" article
- (d) Exemptions to this "Living Wage" article include:
 - (1) Contracts and agreements subject to higher wage rates required by Federal law or collective bargaining agreements;
 - (2) Contracts or agreements for regulated utilities;
 - (3) Emergency services to prevent or respond to a disaster or imminent threat to public health and safety;
 - (4) Contractor employees who work less than full time; and
 - (5) Contractors who employ fewer than ten (10) employees.
- (e) The Authority may adjust the living wage rate effective in January of each year. The adjustment will reflect the average living wage rate among Metro's Compact jurisdictions with living wage rates. If after Contract award the living wage rate increases, the Contractor is entitled to an equitable adjustment to the Contract price in the amount of the increase for employees who are affected by the escalated wage.
- (f) Failure to comply with the Authority's Living Wage Policy shall result in the Authority's right to exercise available contract remedies, including contract termination, where no fraud is suspected.
- (g) If fraud is suspected, the Authority's only remedy prior to adjudication by a court of competent jurisdiction is to report the matter to WMATA's Office of Inspector General (OIG), the U.S. Department of Transportation's Office of Inspector General (DOT-OIG), the Offices of Inspectors General of any state or Federal agency providing funding under this Contract and/or appropriate Federal, state and/or local law enforcement authorities.

13. METRIC SYSTEM

To the extent the Federal Government directs, the Contractor agrees to use the metric system of measurement in its Contract activities, in accordance with the Metric Conversion Act, as amended by the Omnibus Trade and Competitiveness Act, 15 U.S.C. § 205 (a) *et. seq.*; Executive Order No. 12770, "Metric Usage in Federal Government Programs," 15 U.S.C. § 205(a) note; and applicable U.S. DOT or FTA regulations in accordance with applicable Federal directives. As practicable and feasible, the Contractor agrees to supply products and services with dimensions expressed in the metric system of measurement. Metric usage shall not be required to the extent that such use is impractical or is likely to cause significant inefficiencies or loss of markets to United States firms.

14. MANDATORY DISCLOSURE

The Contractor shall timely disclose, in writing, to WMATA's Office of the Inspector General (OIG), with a copy to the Contracting Officer, whenever, in connection with the award, performance, or closeout of this Contract or any subcontract hereunder, the Contractor has credible evidence that a principal, employee, agent, or subcontractor of the Contractor has committed—

- (a) A violation of Federal criminal law involving fraud, conflict of interest, bribery, or gratuity violations found in Title 18 of the United States Code; or
- (b) A violation of the civil False Claims Act (31 U.S.C. §§ 3729-3733).
 - (1) WMATA, to the extent permitted by law and regulation, will safeguard and treat information obtained pursuant to the Contractor's disclosure as confidential where the information has been marked "confidential" or "proprietary" by the company. To the extent permitted by the law and regulation, such information will not be released by WMATA to the public pursuant to a Public Access to Records (PARP) request. WMATA may transfer documents provided by the Contractor to any department or agency within the state, Federal or local government, if the information relates to matters within the organization's jurisdiction.
 - (2) If the violation relates to an order against a government-wide acquisition contract, a multi-agency contract, a multiple-award schedule contract such as the Federal Supply Schedule, or any other procurement instrument intended for use by multiple agencies, the Contractor shall notify the OIG of the ordering agency and the OIG of the agency responsible for the basic contract.

15. WHISTLEBLOWER PROTECTION – NON-FEDERAL

(a) The Contractor and its subcontractors shall encourage their employees and independent contractors to report information, without fear of actual or threatened discrimination, retaliation or reprisal that they in good faith reasonably believe is evidence of gross mismanagement; gross misuse or waste of public resources or funds; fraud; violation of law; abuse of authority in connection with the conduct of WMATA's operations or contracts; or a substantial and specific danger to health, security or safety. The Contractor and its subcontractors shall notify their employees that they may make reports under this paragraph to:

- (1) WMATA's Office of Inspector General (OIG), in person, in writing, through the OIG Hotline (888-234-2374), via email at wmata-oig

hotline@verizon.net or by any other reasonable means;

- (2) WMATA's Metro Transit Police Department (MTPD), in person, by telephone (202-962-2121) or by any other reasonable means, or to the OIG, if the information constitutes a potential violation of criminal law;
 - (3) WMATA's Chief Safety Officer, in person, in writing, through the SAFE Hotline (202-249-7233) or email safety@wmata.com, or by any other reasonable means; or
 - (4) Any other official, office or agency within WMATA or outside WMATA that the employee or independent contractor reasonably believes has the authority to act on the matter.
- (b) The Contractor, its employees, independent contractors and subcontractors shall cooperate with any inquiry or review by an authorized official of WMATA, or by the Federal government or any other governmental entity with jurisdiction over WMATA, regarding a matter that would constitute a report under paragraph (a) or a violation of this or any whistleblower provision of this Contract, and with any enforcement or judicial proceeding arising from such inquiry or review.
- (c) The Contractor and its subcontractors shall not interfere with or deny the right of any employee or independent contractor of either the Contractor or any of its subcontractors to make a report under paragraph (a). The Contractor and its subcontractors shall not recommend, take or threaten to take any action having a negative or adverse impact on any employee or independent contractor of either the Contractor or any of its subcontractors because he or she:
- (1) Made or is perceived to have made a report under paragraph (a);
 - (2) Sought a remedy under applicable law after making a report under paragraph (a);
 - (3) Participated in or cooperated with an inquiry or review by an authorized official of WMATA, or by the Federal government or any other governmental entity with jurisdiction over WMATA, regarding a matter that would constitute a report under paragraph (a) or a violation of this or any whistleblower provision of this Contract, or with an enforcement or judicial proceeding arising from such inquiry or review;
 - (4) Refused to obey an order that would violate law; or
 - (5) Refused To Work or authorize work when a hazardous safety or security condition presents an imminent danger of death or serious injury, there was no reasonable alternative to refusal, there was not sufficient time to eliminate the danger in absence of refusal and the individual, where possible, notified the Contractor or subcontractor of the condition and of his or her intent not to perform or authorize work.
- (d) The Contractor shall include, or shall cause to be included, the substance of this clause, including this paragraph (d), in its subcontracts.

15. **WORKPLACE VIOLENCE/ZERO TOLERANCE**

Pursuant to Metro Policy/Instruction 7.8.3, all Metro Contractors must: (1) establish zero tolerance for acts of workplace violence for their employees and those of subcontractors at any tier, and (2) not retaliate against any of their employees or independent contractors for cooperating with investigations.

16. **DRUG AND ALCOHOL TESTING (FOR SAFETY SENSITIVE FUNCTIONS ONLY)**

- (a) Contractors who perform "safety sensitive" (as defined in the "Combined Glossary" attached hereto) functions shall be subject to compliance with a drug and alcohol testing program according to Federal guidelines published in FTA regulations. The Contractor agrees to establish and implement a drug and alcohol testing program that complies with 49 C.F.R. Parts 40 and 655, produce any documentation necessary to establish its compliance with these regulations, and permit any authorized representative of the U.S. Department of Transportation or its operating administrations, applicable state oversight agency, or the Authority to inspect the facilities and records associated with the implementation of the drug and alcohol testing program as required under 49 C.F.R. Part 655 and review the testing process. The Contractor further agrees as follows:
- (b) To certify its compliance with 49 C.F.R. Parts 40 and 655 and to submit a Management Information System (MIS) report, as required by Federal regulations, to WMATA's Medical Compliance Monitor (MCM) and the Contracting Officer before February 15th of each year. To certify compliance, the Contractor shall use the "Alcohol and Controlled Substances Testing" certification contained in the "Annual List of Certifications and Assurances for Federal Transit Administration Grants and Cooperative Agreements," that is published annually in the Federal Register.
- (c) To submit to the MCM and the Contracting Officer before February 15th of each year, a copy of the policy statement developed to implement its drug and alcohol testing program.
- (d) To provide to the MCM and the Contracting Officer before February 15th of each year the following:
 - (1) Employee and supervisor training documentation;
 - (2) The name and location of the collection site(s), laboratory(ies), Medical Review Officer(s), Breath Alcohol Technician(s), Collector(s), and Substance Abuse Professional(s); and a description of their random selection drug and alcohol testing process.
- (e) The Contractor further agrees to submit quarterly management reports summarizing test results to the MCM and the Contracting Officer by the 15th of the month following the end of each quarter.

17. **EMPLOYMENT RESTRICTION WARRANTY**

- (a) The Contractor warrants that it will not offer employment to, solicit or discuss prospective employment with, or otherwise engage in substantive employment related discussions or communications with, any present or former Board member of the Authority who has been involved, directly or indirectly, in any matter of financial interest to the Contractor until at least two (2) years after the Board member has ceased involvement in the matter. The post-employment restriction on former Authority employees is one (1) year from the date of their last employment with WMATA. The Contractor shall not knowingly engage in communications of the nature described above with any immediate family member or member of the household of any Authority employee or Board member during the period when such employee or Board member is involved in any matter of financial interest to the Contractor.
- (b) If a former Board member or employee of the Authority is eventually hired, the Contractor shall ensure that the former Board member or employee is not involved in negotiating or otherwise dealing with the Authority on any particular matter over which he or she had responsibility during his or her tenure.
- (c) Should the Contractor fail to comply with the provisions hereof, and no fraud is suspected, the Contracting Officer shall have the right to withhold payment under this Contract in an amount not to exceed two percent (2%) of the total Contract amount as liquidated damages to the Authority, such withholding to be in addition to any other withholding or retainage under this Contract. Any dispute shall be settled in accordance with the "Disputes" clause of this Contract.
- (d) If fraud is suspected, the Authority's only remedy prior to a final decision by a court of competent jurisdiction is to report the matter to WMATA's Office of Inspector General (OIG), the U.S. Department of Transportation's Office of Inspector General (DOT-OIG), the Offices of Inspectors General of any state or Federal agency providing funding under this Contract and/or appropriate Federal, state and/or local law enforcement authorities.

18. GRATUITIES

- (a) In connection with performance of this Contract, or any changes or modifications relative thereto, the giving of or offering to give gratuities (in the form of entertainment, gifts or otherwise) by the Contractor, or any agent, representative or other person deemed to be acting on behalf of the Contractor, or any supplier or subcontractor furnishing material to or performing work under this Contractor, to any Board member, employee or agent of the Authority; with a view toward securing this Contract or securing favorable treatment regarding this Contract is expressly forbidden. The terms of this "Gratuities" clause shall be strictly construed and enforced in the event of violations hereof.
- (b) Reported instances of the giving or offering to give gratuities within the context of this "Gratuities" clause will be investigated by the Authority's Board of Directors or its duly authorized representative. A preliminary investigation will be made to determine whether there is probable cause to suspect that a violation of this clause exists. If such probable cause exists, the Board of Directors, or its duly authorized representative, shall formally notify WMATA's Office of Inspector General (OIG), the U.S. Department of Transportation's Office of Inspector General (DOT-OIG), the Offices of Inspectors

General of any state or Federal agency providing funding under this Contract and/or appropriate Federal, state and/or local law enforcement authorities.

- (c) The rights and remedies of the Authority provided in this clause shall not be exclusive and are in addition to any other rights and remedies provided under this Contract, at law or in equity.

19. OFFICIALS NOT TO BENEFIT

- (a) No member of or delegate to the U.S. Congress, resident commissioner or member of a state or local public body shall be admitted to any share or part of this Contract, or to any benefit that may arise therefrom during his or her tenure or for two (2) years thereafter, unless his or her interest in the business entity that is awarded this Contract is placed in a blind trust in accordance with the rules and regulations of the U.S. Office of Government Ethics (OGE).
- (a) Enforcement of this clause shall be consistent with 18 U.S.C. §431.

20. ORGANIZATIONAL CONFLICTS OF INTEREST

- (a) An organizational conflict of interest (OCI) exists when the nature of the work to be performed under a proposed contract or a subcontract may, without some restriction on future activities result in an unfair competitive advantage to the Contractor or subcontractor; because of (1) unequal access to information, (2) biased ground rules or (3) impaired objectivity. An unequal access to information OCI may exist if in performing a Contract, a Contractor obtains access to non-public information that provides it with a competitive advantage in a later competition. A biased ground rules OCI may exist if the Contractor has a role in setting rules for a source selection in which it will compete. An impaired objectivity OCI may exist if, in performing a Contract, a Contractor is called upon to evaluate an offer from or performance by, itself or an affiliated entity.
- (b) In the event that the Contractor believes that it or any of its potential subcontractors may have an OCI, it shall notify the Contracting Officer, in writing, within five (5) working days after it becomes aware of the potential or actual OCI. The written notification shall identify the nature and circumstances of the perceived conflict and propose appropriate measures to eliminate or mitigate the OCI. The Contracting Officer will review the circumstances and the proposed mitigation plan and notify the Contractor stating whether: (1) no mitigation is required; (2) the conflict cannot be mitigated; or (3) the conflict can be mitigated and he or she accepts the proposed measures, or recommends additional measures.
- (c) The Contractor's failure to identify such perceived conflicts may result in the Contract being rescinded or terminated.
- (d) Should the Contractor identify or become aware of a conflict during the term of this Contract, including any extension thereof that it could not reasonably anticipate prior to award, it shall notify the Contracting Officer in accordance with paragraph (b), or request an exception to the restriction with supporting rationale. The Contracting

Officer shall consider the Contractor's proposed measures to mitigate or eliminate the conflict, or the request for an exception.

- (e) If the proposed measures are not determined to be feasible or are otherwise not acceptable to the Contracting Officer, he or she may terminate the Contract. If the Contracting Officer does not grant a request for an exception, and the Contract is not terminated, the Contractor shall be notified in writing and be given ten (10) days from the date of the written notification to take all necessary actions to comply with this clause.
- (f) If the proposed measures are determined to be acceptable to the Contracting Officer, he or she may grant a specific exception to this restriction, when in the Contracting Officer's judgment, the exception will not create a conflict between the Contractor's duties and obligations under this Contract and the duties and obligations imposed on the Contractor under another contractual or other relationship.
- (g) If the Contractor fails to comply with the terms of this clause, and no fraud is suspected, the Contracting Officer, may withhold payments due under this Contract until such time as the Contractor is in compliance or, should the non-compliance remain uncorrected at the expiration of ten (10) days from the Contracting Officer's written notice as provided in paragraph (b), terminate the contract for default pursuant to this Contract.
- (h) If fraud is suspected, the Authority's only remedy prior to a final determination by a court of competent jurisdiction is to report the matter to WMATA's Office of Inspector General (OIG), the U.S. Department of Transportation's Office of Inspector General (DOT-OIG), the Offices of Inspectors General of any state or Federal agency providing funding under this Contract and/or appropriate Federal, state and/or local law enforcement authorities.
- (i) The Contractor, in performing this Contract, shall avoid any conduct that might result in or give the appearance of creating for Board members or employees of the Authority in their relationship with the Contractor, any conflicts of interest or favoritism and/or the appearance thereof and shall avoid any conduct that might result in a Board member, or employee failing to adhere to any Code of Ethics or standards of conduct adopted by the Authority's Board of Directors.
- (j) The Contracting Officer's determination under this clause shall be final and shall be considered a question of fact within the meaning of the "Disputes" article of this Contract.

21. CONTRACTOR PERSONNEL

- (a) The Authority may direct the replacement of the Contractor's employees reasonably deemed to be unsuitable by the Contracting Officer, or whose continued participation in the work is deemed contrary to the best interests of the Authority. Except in circumstances deemed exigent by the Contracting Officer, the reason for replacement will be discussed between the Contractor and the Authority before a replacement directive is issued. Upon receipt of a written replacement directive from the Authority specifying the date by which the replacement must occur, the Contractor shall proceed with the replacement and shall do so in a manner that minimizes, to the greatest extent practicable, any impact upon the Contract.

- (b) Contractor personnel required to work on WMATA's property must obtain a WMATA vendors' badge and successfully complete the mandatory safety training that must be renewed yearly. The Contractor must advise its affected personnel that, to obtain a vendor's badge, a signed waiver to perform a background check is required.

22. FALSE STATEMENTS, CLAIMS OR SUBMISSIONS

- (a) The Contractor acknowledges its responsibility to undertake its obligations under this publicly funded Contract with full integrity and, to take all reasonable steps to ensure that statements, claims and submissions made pursuant to this Contract are provided in good faith and with a reasonable belief as to their truthfulness, accuracy and completeness.
- (b) In the event that it is finally determined by a court of competent jurisdiction that any statement, claim, submission, or certification made by or on behalf of the Contractor pursuant to a material element of the Contract was knowingly false, fictitious or fraudulent, the Authority shall be entitled to recover from the Contractor, an amount equal to not more than three (3) times the monetary value of the benefit derived or sought to be derived by the Contractor through its false statement, claim or submission. For purposes hereof, an element of the Contract shall be deemed material if it impacted or could reasonably have been intended to impact the disposition of any claim, dispute, proposed or implemented change order, proposed pricing or schedule adjustment of any nature, or other substantive issue directly affecting the rights of the parties under the Contract.
- (c) The Authority's only remedy prior to a final determination by a court of competent jurisdiction is to report the matter to WMATA's Office of Inspector General (OIG), the U.S. Department of Transportation's Office of Inspector General (DOT-OIG), the Offices of Inspectors General of any state or Federal agency providing funding under this Contract and/or appropriate Federal, state and/or local law enforcement authorities.
- (d) The Authority's rights set forth in this article are in addition to any contractual, legal or equitable rights that may arise upon the Contractor's submission of a false claim or statement, including without limitation, the Authority's right to terminate the Contract for default once fraud is finally determined by a court of competent jurisdiction. The provisions of this clause shall not serve in any respect to limit, waive or modify any civil or criminal liability, of the Contractor or any of its officers, agents or employees that such conduct may precipitate.

CHAPTER X – MISCELLANEOUS ADDITIONAL PROVISIONS

1. FEDERAL, STATE, AND LOCAL TAXES

- (a) Except as may be otherwise provided in this Contract, the Contract price shall be deemed to include all applicable Federal, state and local taxes and duties.
- (b) If a statute, court decision, written ruling or regulation regarding any Federal excise tax or duty on the transactions or property covered by this Contract takes effect after the Contract date, and:
- (c) Results in the Contractor being required to pay or bear the burden of any such Federal excise tax or duty or rate increase that would not otherwise have been payable on such transactions or property, the Contract price shall be increased by the amount of such tax or duty or rate increase, if the Contractor warrants in writing that no amount for such newly imposed Federal obligation was included in the Contract price as a contingency reserve or otherwise; or
- (d) Results in the Contractor not being required to pay or bear the burden of, or in its obtaining a refund or drawback of, any Federal excise tax or duty that would otherwise have been payable on such transactions or property or that was the basis of an increase in the Contract price, the Contract price shall be decreased by the amount of the relief, refund, or drawback, or that amount shall be paid to the Authority, as the Contracting Officer directs. If the Contractor fails to follow the Contracting Officer's instructions, it will be required to pay or bear the burden of, any such Federal excise tax or duty through a decrease in the Contract price.
- (e) Paragraph (b) above shall not be applicable to social security taxes or to any other employment tax.
- (f) No adjustment of less than \$250 shall be made in the Contract price pursuant to paragraph (b).
- (g) As used in paragraph (b), the term "Contract date" means the date the Contract was executed by the Authority. As to additional services, supplies or construction procured by modification to this Contract, the term "Contract date" means the effective date of such modification.
- (h) The Contractor shall promptly notify the Contracting Officer of matters that may result in either an increase or decrease in the Contract price under this clause and shall take action as the Contracting Officer directs. The Authority shall be entitled to a reduction in the Contract price reflecting such amount and a refund of monies paid related to such taxes, plus applicable interest.

2. PUBLIC COMMUNICATION

The Contractor shall not issue communications to the media, place advertisements, nor publicize through any means the services that it is providing to WMATA under this Contract, without prior written consent of the Contracting Officer. The Contractor shall not publish, in print or online, any communications products such as newsletters, press releases, blogs or

other communications without the Contracting Officer's prior, written consent. Approval of any such requests shall be at the Contracting Officer's sole discretion.

3. CHOICE OF LAW, CONSENT TO JURISDICTION AND VENUE

- (a) This Contract shall be deemed to be executed in the District of Columbia, regardless of the domicile of the Contractor and shall be governed by and construed in accordance with the laws of the District of Columbia except to the extent, if any, superseded by Federal law.
- (b) The parties agree that any and all claims asserted by or against the Authority arising hereunder or related hereto shall be heard and determined either in the courts of the United States located in the District of Columbia, the State of Maryland or the Commonwealth of Virginia or in the courts of the District of Columbia, State of Maryland or Commonwealth of Virginia that maintain jurisdiction over such claims and where venue properly resides.

4. SEVERABILITY

If the Contract contains any unlawful provisions, the same shall be deemed of no effect, and shall upon the application of either party be stricken from the Contract without affecting the binding force of the Contract as it shall remain after omitting such provision.

5. SURVIVAL

Any provision expressly set forth as surviving the expiration or termination of this Contract, shall be deemed to survive any such expiration or termination.

CHAPTER XI – ADDITIONAL PROVISIONS

1. AMERICANS WITH DISABILITIES ACT ACCESSIBILITY (N/A)

2. RETAINAGE

- (c) *No Retainage.* No provision of this Contract shall serve to deny Contractor's entitlement to full payment for properly performed work or suitably stored materials. No amounts shall be withheld from any payment request submitted by Contractor based on percentage of the work performed during the period of performance and no amounts shall be assigned to the line items, other than as assigned by Contractor in its payment requests.

3. GOVERNMENT-WIDE DEBARMENT OR SUSPENSION

- (a) The Contractor is bound by its certification contained in its bid that neither the Contractor its principals, or affiliates, are excluded or disqualified, from Federal contracting. The certification is a material representation of fact, relied upon by the Authority in entering into this Contract. If it is later determined that the Contractor knowingly rendered an erroneous certification, in addition to remedies available to the Authority, the Federal Government may pursue available remedies, including but not limited to suspension and/or debarment. The Contractor agrees to comply with the requirements of 2 C.F.R, part 180, subpart C as adopted and supplemented by U.S. DOT regulations at 2 C.F.R, part 1200 "Non-procurement Suspension and Debarment," including any amendments thereto, Executive Orders Nos. 12549 and 12689 "Debarment and Suspension" 31 U.S.C. § 6101 note, and other applicable Federal laws, regulations or guidance regarding participation with debarred or suspended contractors throughout the term of this Contract.
- (b) Flow-down requirement. The Contractor agrees to include this article in all subcontracts at all tiers under this Contract requiring lower tier contractors to comply with Federal suspension and debarment requirements, and review the System for Award Management (SAM) at www.sam.gov in order to comply with U.S. DOT regulations at 2 C.F.R, Part 1200 prior to awarding any subcontract under this Contract.

4. FALSE STATEMENTS OR CLAIMS CIVIL AND CRIMINAL FRAUD

- (a) The Contractor acknowledges that the provisions of the Program Fraud Civil Remedies Act of 1986, as amended, 31 U. S. C. § 3801 *e.t seq.* and U. S. DOT Regulations, "Program Fraud Civil Remedies," 49 C.F. R. Part 31, apply to its actions pertaining to this Contract. Upon execution of this Contract, the Contractor certifies and affirms the truthfulness and accuracy of any statement it has made, it makes, it may make, or causes to be made, pertaining to this Contract or FTA assisted project for which this Contract is being performed. In addition to other penalties that may be applicable, the Contractor further acknowledges that if it makes or causes to be made, a false, fictitious, or fraudulent claim, statement, submission, or certification, the Federal

Government reserves the right to impose the penalties of the Program Fraud Civil Remedies Act of 1986 on the Contractor to the extent that it deems appropriate.

- (b) The Contractor also acknowledges that if it makes, or causes to be made, a false, fictitious, or fraudulent claim, statement, submission, or certification to the Federal Government under a contract connected with a project that is financed in whole or in part with Federal assistance originally awarded by FTA under the authority of 49 U. S. C. 5307, the Government reserves the right to impose the penalties of 18 U. S. C. 1001 and 49 U. S. C 5307 (n)(1) on the Contractor, to the extent the Federal Government deems appropriate.
- (c) Flow-down requirement. The Contractor agrees to include this clause in each subcontract financed in whole or in part with Federal assistance provided by FTA. It is further agreed that the clause shall not be modified, except to identify the subcontractor who will be subject to the provisions.

5. PROGRESS PAYMENTS

When satisfactory progress has not been achieved by a Contractor during any period for which a progress payment is to be made, a percentage of the progress payment may be retained. Retainage should not be used as a substitute for good contract management, and the Contracting Officer should not withhold funds without cause. Determinations to retain and the specific amount to be withheld shall be made by the Contracting Officer on a case-by-case basis. Such decisions will be based on the Contracting Officer's assessment of past performance and the likelihood that such performance will continue. The amount of retainage withheld shall not exceed ten percent (10%) of the approved, estimated amount in accordance with the terms of this Contract and may be adjusted as the Contract approaches completion to recognize better than expected performance, the ability to rely on alternative safeguards, and other factors. Upon completion of all Contract requirements, retained amounts shall be paid promptly.

6. BONDING FOR CONSTRUCTION PROJECTS EXCEEDING \$100,000-(N/A)

7. BONDING REQUIREMENTS- GENERAL-(N/A)

CHAPTER XII-WMATA POLICIES

1. SAFETY REQUIREMENTS

- (a) The Contractor shall be responsible for ensuring compliance with the most stringent provisions of the applicable statutes and regulations of the District of Columbia, State of Maryland, Commonwealth of Virginia or political subdivision where the work is being performed, as well as the METRO Construction Safety and Environmental Manual (1984, as amended) issued by the Authority, and the U.S. Department of Labor OSHA standards pertaining to the safe performance of the work. In the absence of a specific construction industry standard, the Contractor is required to comply with either an established OSHA General Industry Standard, National Institute for Occupational Safety and Health (NIOSH) guidelines, American Conference of Governmental Industrial Hygienists (ACGIH) guidelines, American National Standards Institute (ANSI) guidelines, the WMATA System Safety Program Plan, the WMATA Construction Safety and Environmental Manual, or the Metrorail Safety Rules and Procedures Handbook. For contracts where work will be performed on, or will interface with the Metrorail System, the Contractor shall also comply with the publication entitled "Metrorail Safety Rules and Procedures Handbook." In the event of a conflict between these guidelines and applicable Federal, State or local health and safety laws, regulations or standards, the more stringent standard shall apply. Further, the Contractor shall ensure that all methods of performing the work do not involve danger to the personnel working at the site, and the public and private property, whether or not these methods are cited or indicated in the Contract. The Contractor shall immediately provide to the Contracting Officer, a copy of all citations and/or warnings of safety violations received from any Federal, State or local jurisdiction or agency thereof, and/or all notifications of safety violations from insurance companies. The Contractor shall also provide to the Contracting Officer, copies of any and all subpoenas, complaints or other documents relating to any law suit alleging safety violations.
- (b) The Contractor shall employ and assign a full-time Safety Superintendent for Contracts involving "safety sensitive" (See Combined Glossary attached hereto for a definition) functions. The Safety Superintendent shall have a minimum of three (3) years of construction safety experience and hold an OSHA thirty (30) hour course card. He or she shall have the ability to develop and conduct safety training courses. He or she shall be familiar with industrial hygiene equipment and testing as required for the protection of all employees. The Safety Superintendent shall be employed exclusively for the purpose of supervising the safety of persons on or about the worksite and the property affected thereby. The Safety Superintendent shall also be responsible for providing first aid at the worksite and must have a current Red Cross First Aid Certificate. The Contractor shall notify the Contracting Officer a reasonable amount of time beforehand, any time that the Safety Superintendent will not be on site during work hours. If, at any time, the worksite is without the services of an approved Safety Superintendent for a period of three (3) calendar days or more, the work may be closed down at the Contracting Officer's discretion. The Safety Superintendent must be acceptable to the Contracting Officer and his or her performance will be reviewed on a continuing basis. If the Safety Superintendent's effectiveness is below standard, the Contractor shall provide immediate replacement at the Contracting Officer's direction. Once employed, the Safety Superintendent shall not be changed without the

Contracting Officer's permission. The Safety Superintendent can be terminated at any time, at the Contracting Officer's discretion.

- (c) The Contractor shall provide, at the site of the work, a first aid kit which shall be fully equipped to meet the needs of the anticipated work force.
- (d) The Contractor shall follow all appropriate RAIL Operational Rules, Operational Administrative Procedures (OAPs), Standard Operational Procedures (SOPs) and General and Special Orders while on the operational railroad and all Start-Up Rules and Manager's Notices when in declared start-up areas.

2. PRE-EMPLOYMENT CRIMINAL BACKGROUND CHECK REQUIREMENT

Pursuant to Metro Policy Instruction 6.10/5, WMATA requires that all Contractor employees and candidates for employment undergo and pass criminal background screenings before being eligible to work on WMATA's property and facilities. Contractor employees and candidates who pass the background screenings are eligible to enter WMATA's property once WMATA issues them a Contractor's badge. Contractor employees and candidates who do not authorize background screenings or whose background screenings are unsatisfactory will not be granted Contractor badges or access to WMATA's property. Contractors' badges are valid for one (1) year from the date of issuance.

3. WORKPLACE VIOLENCE/ZERO TOLERANCE

Pursuant to Metro Policy/Instruction 7.8.3, all Metro Contractors and subcontractors at any tier must: (1) establish zero tolerance for acts of workplace violence for their employees and independent contractors, and (2) not retaliate against any of their employees or independent contractors for cooperating with investigations.



MID-ATLANTIC PURCHASING TEAM RIDER CLAUSE

USE OF CONTRACT(S) BY MEMBERS COMPRISING Mid –Atlantic Purchasing Team COMMITTEE

Extension to Other Jurisdictions

The [issuing jurisdiction] extends the resultant contract (s), including pricing, terms and conditions to the members of the Mid-Atlantic Purchasing Team, as well as all other public entities under the jurisdiction of the United States and its territories.

Inclusion of Governmental & Nonprofit Participants (Optional Clause)

This shall include but not be limited to private schools, Parochial schools, non-public schools such as charter schools, special districts, intermediate units, non-profit agencies providing services on behalf of government, and/or state, community and/or private colleges/universities that required these good, commodities and/or services.

Notification and Reporting

The Contractor agrees to notify the issuing jurisdiction of those entities that wish to use any contract resulting from this solicitation and will also provide usage information, which may be requested. The Contractor will provide the copy of the solicitation and resultant contract documents to any requesting jurisdiction or entity.

Contract Agreement

Any jurisdiction or entity using the resultant contract (s) may enter into its own contract with the successful Contractor (s). There shall be no obligation on the party of any participating jurisdiction to use the resultant contract (s). Contracts entered into with a participating jurisdiction may contain general terms and conditions unique to that jurisdiction Including, by way of illustration and not limitation, clauses covering minority participation, non-discrimination, indemnification, naming the jurisdiction as an additional insured under any required Comprehensive General Liability policies, and venue.

Mid-Atlantic Purchasing Team:

- | | | |
|---|--|---|
| <input type="checkbox"/> Alexandria Public Schools | <input type="checkbox"/> Frederick, Maryland | <input type="checkbox"/> Prince George's Community College |
| <input type="checkbox"/> Alexandria Sanitation Authority | <input type="checkbox"/> Frederick County, Maryland | <input type="checkbox"/> Prince George's County, Maryland |
| <input type="checkbox"/> Arlington County, Virginia | <input type="checkbox"/> Gaithersburg, Maryland | <input type="checkbox"/> Prince George's Public Schools |
| <input type="checkbox"/> Arlington County Public Schools | <input type="checkbox"/> Greenbelt, Maryland | <input type="checkbox"/> Prince William County, Virginia |
| <input type="checkbox"/> Bladensburg, Maryland | <input type="checkbox"/> Herndon, Virginia | <input type="checkbox"/> Prince William County Public Schools |
| <input type="checkbox"/> Bowie, Maryland | <input type="checkbox"/> Leesburg, Virginia | <input type="checkbox"/> Prince William County Service Authority |
| <input type="checkbox"/> BRCP | <input type="checkbox"/> Loudoun County, Virginia | <input type="checkbox"/> Rockville, Maryland |
| <input type="checkbox"/> Charles County Public Schools | <input type="checkbox"/> Loudoun County Public Schools | <input type="checkbox"/> Spotsylvania County |
| <input type="checkbox"/> City of Fredericksburg | <input type="checkbox"/> Loudoun County Water Authority | <input type="checkbox"/> Spotsylvania County Government & Schools |
| <input type="checkbox"/> College Park, Maryland | <input type="checkbox"/> Manassas, Virginia | <input type="checkbox"/> Stafford County, Virginia |
| <input type="checkbox"/> District of Columbia Government | <input type="checkbox"/> City of Manassas Public Schools | <input type="checkbox"/> Takoma Park, Maryland |
| <input type="checkbox"/> District of Columbia Public Schools | <input type="checkbox"/> Manassas Park, Virginia | <input type="checkbox"/> Upper Occoquan Service Authority |
| <input type="checkbox"/> District of Columbia Water & Sewer Auth. | <input type="checkbox"/> Maryland-National Capital Park & Planning Comm. | <input type="checkbox"/> Vienna, Virginia |
| <input type="checkbox"/> Fairfax, Virginia | <input type="checkbox"/> Maryland Department of Transportation | <input type="checkbox"/> Washington Metropolitan Area Transit Authority |
| <input type="checkbox"/> Fairfax County, Virginia | <input type="checkbox"/> Metropolitan Washington Airports Authority | <input type="checkbox"/> Washington Suburban Sanitary Commission |
| <input type="checkbox"/> Fairfax County Water Authority | <input type="checkbox"/> Metropolitan Washington Council of Governments | <input type="checkbox"/> Winchester, Virginia |
| <input type="checkbox"/> Falls Church, Virginia | <input type="checkbox"/> Montgomery College | <input type="checkbox"/> Winchester Public Schools |
| <input type="checkbox"/> Fauquier County Schools & Government | <input type="checkbox"/> Montgomery County, Maryland | |
| | <input type="checkbox"/> Montgomery County Public Schools | |
| | <input type="checkbox"/> Northern Virginia Community College | |

PART III TECHNICAL SPECIFICATIONS

Scope

CENI-TSFA has a two (2) times per year minimum requirement for Ultrasonic Rail Flaw Detection Inspection on mainline track and a one (1) time per year minimum for yard track. This multi-year (1 Base, 4 Option) on call testing requirement for a contractor to provide all the necessary labor, tools, materials, and equipment required to automatically inspect WMATA rail system utilizing a hi-rail or rail bound vehicle to collect Ultrasonic Rail Flaw Detection Inspection. The Washington Metropolitan Area Transit Authority (WMATA) requires on-call contractor services for Ultrasonic Rail Flaw Inspection through electro-inductive hi-rail vehicle or the latest approved method using methods equal to or greater than The American Society of Nondestructive Testing (ASNT) recommended practice. The Metro track system shall include all revenue service tracks, pocket tracks, interlocking, connector tracks, and yard lead, and yard tracks constructed of 115 lbs. head hardened (HH), heat treated (HT), vacuum treated (VT), alloyed and control cooled (CC) rail. The approximate length of tracks to be tested is (234) miles mainline and Approx. (72) miles of yard lead and yard tracks. Testing frequency is measured per fiscal year (WMATA's fiscal year is July 1 through June 30).

On-call Ultrasonic Rail Flaw Detection Inspection Testing shall be completed by request at a minimum of one (1) time a year or a maximum of four (4) times a year to supplement WMATA's testing needs per year as follows on an as-need basis.

1st Test Cycle - (234 miles) Mainlines, (8) miles Yard Leads and Loops, Turnouts and Crossovers

2nd Test Cycle – (Optional) (234) Mainlines, (8) miles Yard Leads and Loops, Turnouts and Crossovers

3rd Test Cycle – (Optional) (234) Mainlines, (8) miles Yard Leads and Loops, Turnouts and Crossovers

4th Test Cycle – (Optional) (234) Mainlines, (8) miles Yard Leads and Loops, Turnouts and Crossovers

All measurements shall be collected utilizing American standards reported in inches and foot/feet.

- 1.1 The contractor shall calibrate their equipment prior to each test. This calibration data will be provided in either written or electronic format to Inspection Supervisor prior to the end of each testing shift to verify accurate test results. A valid calibration test report will be required before acceptance of any testing.

2.0 Applicable Documents

- a) WMATA 1000 Track & Inspection Manual Rev. 6, or most recent.
- b) WMATA Roadway Workers Protection Manual
- c) Metro Rail Safety Rules and Procedures Handbook
- d) Federal Railroad Administration (FRA) Track Safety Standards 213

3.0 Technical Specifications

The Contractor shall:

- 3.1 Contractor shall include a backup hand inspection rail flaw detector similar to the GE Go32 or better, and check the sensitivity of the scope prior to use.
- 3.2 Must be able to detect, but not limited to, the following industry standard for railroad rail (UT) nondestructive inspection and specification for reliability, accurately and thoroughly.

- 3.3 Transverse fissures or other centrally located transverse defects representing approximately 10% of the cross-sectional area of the rail head.
- 3.4 Detail fractures representing approximately 15% of the cross-sectional area of the rail head and not masked from above by shallow horizontal separations sometimes associated with shells
- 3.5 Engine burn fractures, two (2") inches horizontal within one-quarter (1/4") inches depth, or transverse separation developing from thermal cracks underneath driver burns representing approximate 20% of the cross-sectional area of the rail head.
- 3.6 Horizontal split heads at least two (2") inches in length, extending at least halfway through the rail head and located one-half inch or more below the running surface of the rail.
- 3.7 Vertical split heads so oriented as to not interrupt an ultrasonic signal.
- 3.8 Transmitted centrally through the rail section from above, and six (6") inches in length or longer.
- 3.9 Head and web separations and split web outside the joint bars limits at least two (2") inches in length and progressing entirely through the rail web.
- 3.10 Joint defects (bolt-hole cracks and head & web separations inside the joint bar limits) at least two (2") inches in length and progressing entirely through the rail web.
- 3.11 Defective welds (plant or field) with centrally located transverse defects, voids, or inclusions in the rail head representing approximately 10% of the cross-sectional area of the rail head; with transverse head defects not centrally located representing approximately 15% of the cross-sectional area of the rail head; with web defects on a generally horizontal plane at a rail weld approximately two (2") inches or longer with penetration more than halfway through the rail web.
- 3.12 All defects listed above shall be considered Priority #1 defects that will require immediate corrective actions.
- 3.13 WMATA will also require all other defects identified and reported that do not exceed the threshold limits outlined in section 3.0, these defects shall be classified as category Priority #2.
- 3.14 A separate report shall be submitted at the end of each work shift that identifies each type of defect that shall include all information outlined in section 4.0 Real Time Deliverables During Inspection in the scope of work.
- 3.15 The contactor shall identify severely corroded or burned surfaces and verify utilizing flaw detection equipment manually (hand tested).
- 3.16 Report all areas that are considered non-testable to the WMATA pilot and record the information of the section of track, left or right rails or track component chain marker, and explanation of reasons the area was considered not-testable in the daily report.
- 3.17 Provide capable equipment, trained and qualified supervisor(s), and technician operator for the operation of the vehicle, measuring instrumental and maintain the equipment while testing the WMATA system.

- 3.18 Provide ultrasonic rail flaw inspection system capable of providing an onboard display and recording of geometry data utilizing the WMATA 1000 thresholds and standards reported in standard inches and feet.
- 3.19 Provide on-board production of standard strip charts and exception reports that reflects the tested conditions.
- 3.20 Provide on-board seating capacity and data monitoring access for WMATA railroad personnel while testing.
- 3.21 Contractor equipment shall have the capacity of testing at a speed of 10-15mph if using hi-rail vehicle or greater than 10mph if using a rail bound vehicle dependent on track conditions and transit rules governing the safe operation of hi-rail vehicles through turnouts, station platforms, work areas and protection against personnel and equipment. The equipment shall be equipped with WMATA approved tow bar for emergency rescue.
- 3.22 All reports shall be granted in real time and printed using vehicle-based processing. All data shall be provided by hard copy and electronically by CSV file and PDF and furnished to WMATA for on-board and off-board analysis daily.
- 3.23 Ultrasonic rail flaw detection shall be collected and classified in accordance with current FRA Track Safety Standards for Class IV Railroad. The test parameters, ranges, and measurements tolerance outline in the current WMATA Track Maintenance & Inspection manual for speeds up to (75) mph. (To be provided to successful contractor)

4.0 Real Time Deliverables during Inspection

- 4.1 Contractors will be responsible for notification to the metro pilot when each defect is found.
- 4.2 Contractor must additionally hand test and verify all defects that are near limit or exceeds the tolerance levels established in the requirements section 2.1 of this specification.
- 4.3 Contractor will be responsible for identifying defect type, size and location with hi-visible markings i.e. Orange paint, flags and/or ribbons etc.
- 4.4 Contractor must document the following information for each defect detected on each report:
 - a. Type defect detected
 - b. Percentage/-size of defect
 - c. Alphabet letter of rail line
 - d. Track Number
 - e. Chain Marker
 - f. Right or left rail (direction of normal traffic)
 - g. Rail manufacture information
 - h. Roadbed type (i.e. Ballast, Direct Fixation, Floating Slab, etc.)
 - i. Non-testable

5.0 Ultrasonic Rail Flaw Data

- 5.1 Provide collected data in a CSV format from each test that can be uploaded to WMATA Optram version database system in the suggested file format.
- 5.2 Provide a system for the management of the data generated by the on-board electronic measurement system, which will be stored on CD-ROM disk(s) and presented to WMATA for analysis.
- 5.3 All generated reports, both written and graphic shall be delivered in triplicate to WMATA within fifteen calendar days, (15) after completion of each testing sequence. Nightly testing reports shall be delivered the next business day electronically.
- 5.4 During testing utilizing the referenced material below, when thresholds exceed FRA track safety standards, the contractor shall immediately verify the out of tolerance condition detected and report to the WMATA escort/pilot; refer to current WMATA track maintenance and inspection manual standards for applying safe operations over areas.
- 5.5 Provide a customer file documenting the contractors' process for conducting testing and reporting conditions on the WMATA system.

6.0 Ultrasonic Rail Flaw Criteria

- 6.1 Each sequence shall generate the following:
 - 6.1.1 Chart recording for each parameter
 - a. Exception report listing each defect, including:
 - b. Total defect length
 - c. Defect location in chain markers
 - d. Defect location by Track Number
 - e. Maximum defect in feet and inches
 - f. Provide a customer file documenting the Contractors processes.

7.0 Rail Bound Vehicle Qualifications

- 7.1 The contractor's rail equipment (to include hi-rail) must have an excellent historical record of performance and maintenance. The equipment shall be inspected by WMATA personnel for approval prior to use on the WMATA system. The equipment shall meet the minimum requirements:
 - 7.1.1 Must be diesel powered. No Gasoline Powered Equipment is permitted.
 - 7.1.2 Must be able to operate quietly for night work in urban areas.

7.1.3 Must clear all WMATA tunnels, platforms, contact rail, assemblies and structures as indicated in the drawings included in Appendix 14.1.3

7.1.4 Must provide continuous shunting capabilities that can be recognized by the ROCS/mapping system located at the Central Control Center (OCC) at all times while operating on WMATA tracks.

7.1.5 For the purposes of towing in an emergency situation, the equipment shall have one (1) tow eye of 2-1/16" in diameter at each end of the vehicle.

7.1.6 The tow eye shall be 14", + - or 1/2 ", from the top of the rail centerline of tow eye as measured with new wheels.

7.1.7 Equipment must be able to operate on standard gage of track set at 56 1/4" track gage and successfully negotiate a 200' radius curved track.

8.0 Additional Instructions and Special Requirements

8.1 All reports and recorded data shall be the exclusive property of WMATA with the methods and results of all equipment calibrations.

8.2 Qualified Pilot(s)

8.2.1 A WMATA RWIC (Roadway Worker in Charge) qualified person shall accompany contractor while performing the service at ALL times.

8.2.2 Testing and inspection shall be performed at various locations throughout the WMATA system and the work hours will be variable and determined by WMATA.

8.2.3 WMATA shall provide:

8.2.3.1 A suitably safe work site to include flag or block protection and/or other precautions as may be required for the safety of personnel and equipment.

8.2.3.2 The testing program is based on a five (5) days or nights work period. Note: Based on track access requirements the contractor may be required to work seven (7) days per week and work days may be up to twelve (12) hours long.

9.0 Inspection and Acceptance Testing

9.1 The contractor shall calibrate their equipment prior to each test. This calibration data will be provided in either written or electronic format to inspection supervisor prior or the end of each testing shift to verify accurate test results. A valid calibration test report on a WMATA calibration rail located within each rail yard will be required before the acceptance of any testing data.

9.2 A map depicting calibration rails located in each rail yard will be provided. Calibration will include successful detection of defects found on each calibration rail.

10.0 Safety Certificate

- 10.1 Upon request, the contractor shall provide WMATA with all DOT/FTA safety requirements including drug testing programs and safety records for personnel and equipment.
- 10.2 Upon request, the contractor will provide their vehicle maintenance records to WMATA and demonstrate the testing vehicle is in good mechanical condition including rail gear testing and inspection records.
- 10.3 The contractor's personnel must have their WMATA access pass in their possession at all times while on WMATA property.
- 10.4 The contractor's employees will be required to attend and successfully pass WMATA's Roadway Worker Training (RWT). All workers are required to complete this training prior to start of the contract. Contractor must have and keep Roadway Worker Protection Insurance during the term of this contract.

11.0 Warranty

N/A

12.0 Training

- 12.1 The selected contractor will provide training to CENI TSFA and TRST staff on the software used by the contractor to capture WMATA's collected information/data. The training shall be four, (4) four hour training sessions. Up to 10 participants are to be expected for training.
- 12.2 Prior to working on WMATA property, ALL contractor personnel shall be required to have a completed background check and to attend and successfully pass roadway worker training class, to be held at a WMATA facility. See Special Provisions #37, Pre-employment Criminal Background Check, Page 67.

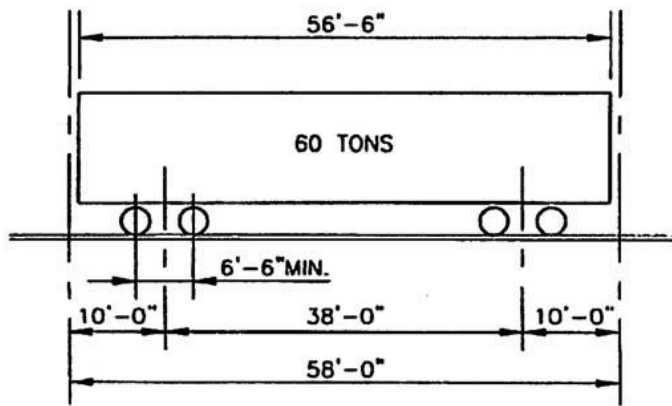
13.0 Delivery Schedule

The Contractor(s) shall be available on an on-call basis for testing during the performance period of this contract. WMATA shall inform the successful contractor of the need for services at least three (3) weeks prior to the desire start of testing of the need for services.

14.0 Appendices

14.1 Standard Clearance Package

14.1.1 Crane Car Design Loading



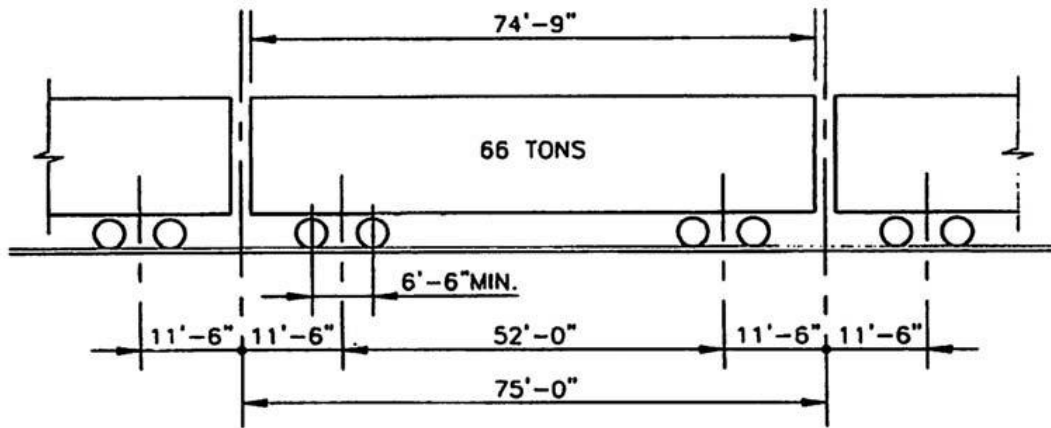
1. DESIGN Loads _____ CAR _____ 80,000 LB.
 PAYLOAD _____ 40,000 LB.
 TOTAL CRANE CAR
 LOADING (LL) _____ 120,000 LB.
2. AXLE LOAD _____ 30,000 LB.
3. IMPACT _____ AS SPECIFIED
4. CENTRIFUGAL FORCE _____ $[0.0012 \times \text{SPEED}^2 \text{ (MPH)} \times \text{DEGREE OF CURVE (DEG)}] \% \text{ LL}$
5. ROLLING FORCE _____ $\pm 10\% \text{ LL}$
6. LONGITUDINAL BRAKING AND TRACTIVE FORCE _____ $15\% \text{ LL}$
7. LOADING COMBINATIONS _____ FOR COMBINATIONS OF ABOVE LOADS REFER TO SECTION E

WASHINGTON METROPOLITAN AREA TRANSIT AUTHORITY

DIVISION OF PLANNING, DEVELOPMENT,
 ENGINEERING AND CONSTRUCTION
 OFFICE OF CHIEF ENGINEER - FACILITIES

CRANE CAR
 DESIGN LOADING

14.1.2 Rapid Transit Vehicle Design Loading



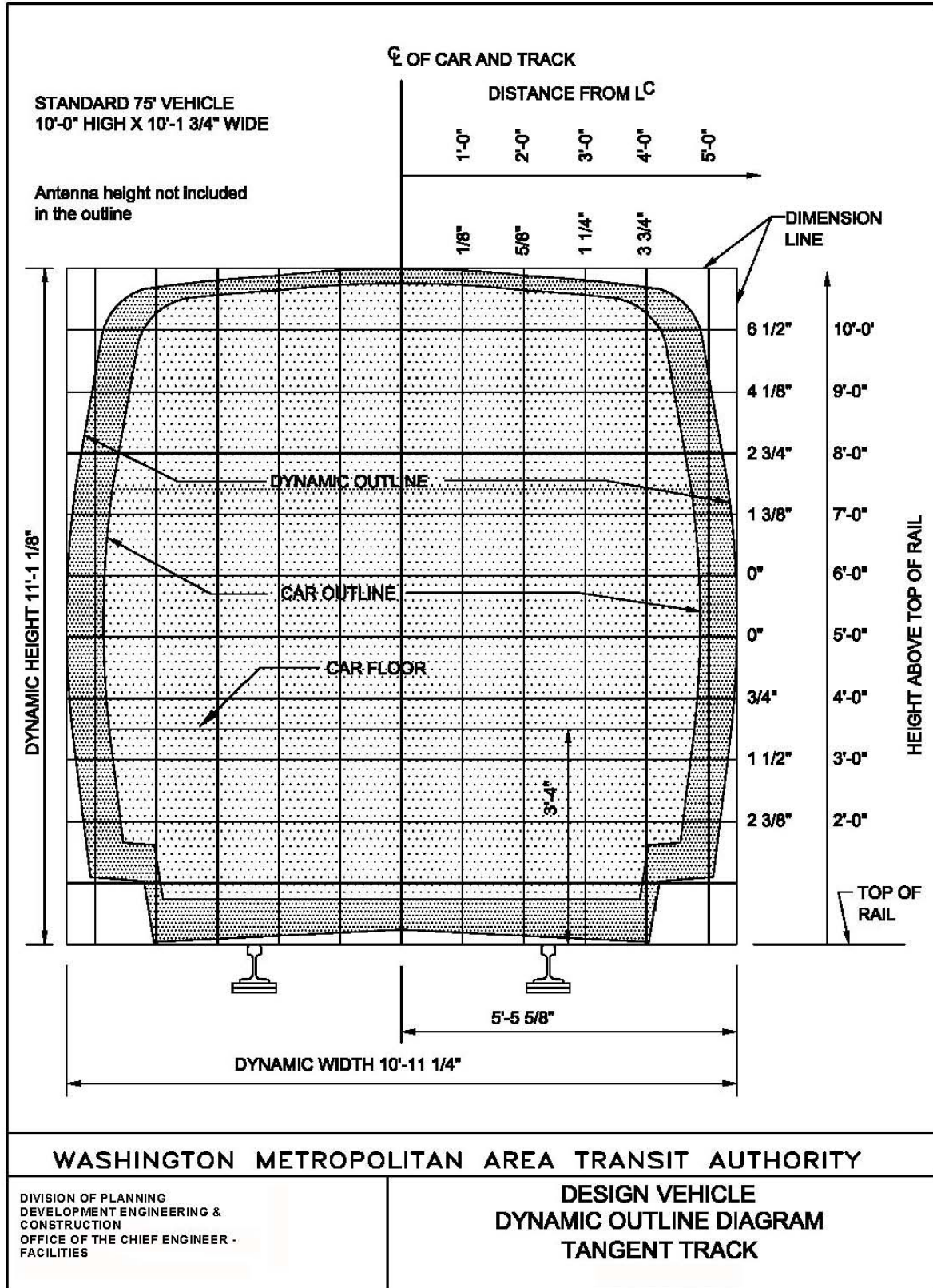
1. DESIGN Loads _____ VEHICLE _____ 82,000 LB.
 PASSENGERS _____ 50,000 LB.
 TOTAL RAPID TRANSIT
 LOADING (LL) _____ 132,000 LB.
2. AXLE LOAD _____ 33,000 LB.
3. IMPACT _____ AS SPECIFIED
4. CENTRIFUGAL FORCE _____ $[0.0012 \times \text{SPEED}^2 \text{ (MPH)} \times \text{DEGREE OF CURVE (DEG)}] \% \text{ LL}$
5. ROLLING FORCE _____ 10% LL
6. LONGITUDINAL BRAKING AND TRACTIVE FORCE _____ 15% LL
7. LOADING COMBINATIONS _____ FOR COMBINATIONS OF ABOVE
 LOADS REFER TO SECTION E

WASHINGTON METROPOLITAN AREA TRANSIT AUTHORITY

DIVISION OF PLANNING, DEVELOPMENT,
 ENGINEERING AND CONSTRUCTION
 OFFICE OF CHIEF ENGINEER - FACILITIES

RAPID TRANSIT VEHICLE
 DESIGN LOADING

14.1.3 Design Vehicle Dynamic Outline Diagram – Tangent Track

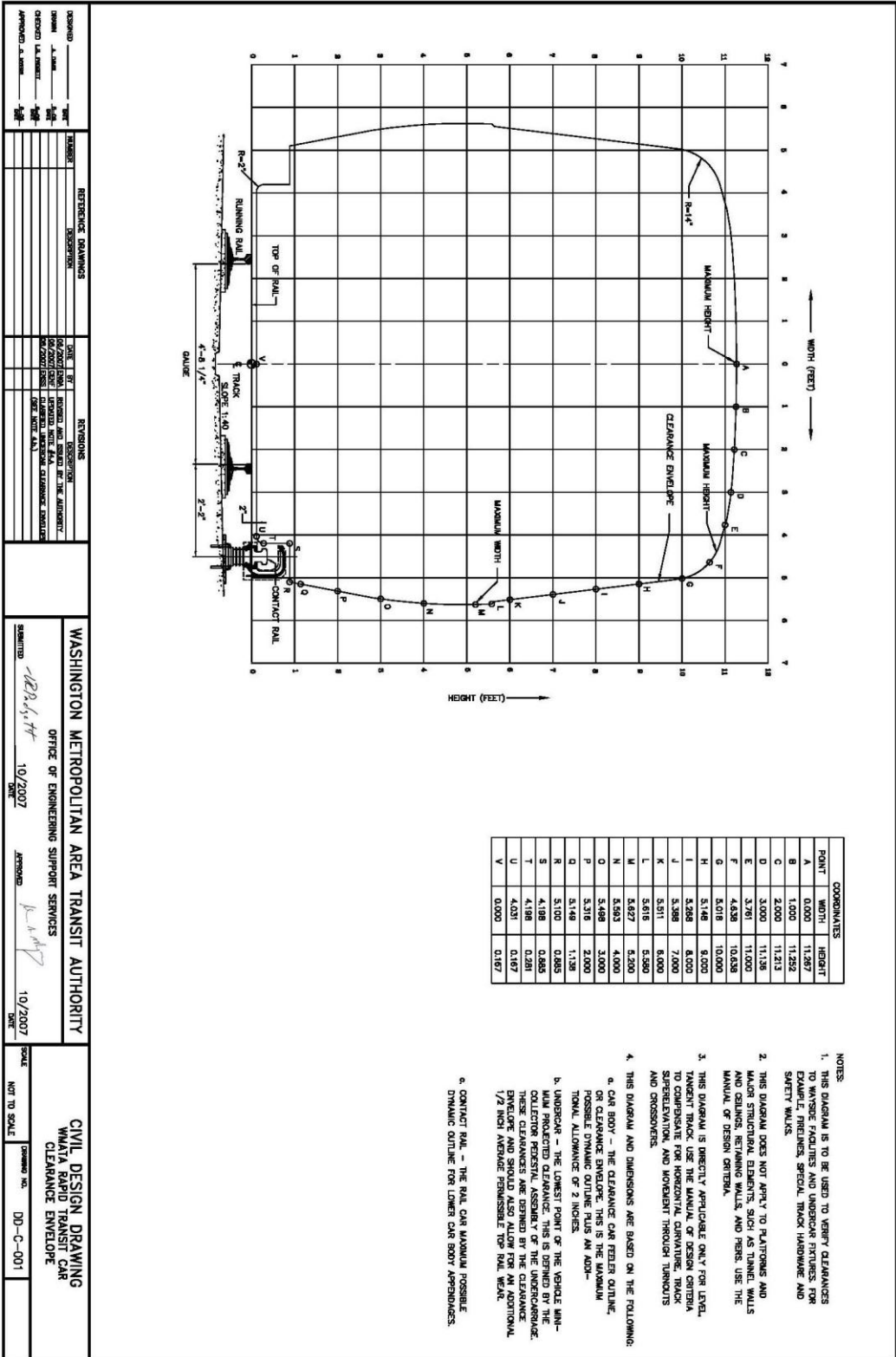


WASHINGTON METROPOLITAN AREA TRANSIT AUTHORITY

DIVISION OF PLANNING
 DEVELOPMENT ENGINEERING &
 CONSTRUCTION
 OFFICE OF THE CHIEF ENGINEER -
 FACILITIES

DESIGN VEHICLE
 DYNAMIC OUTLINE DIAGRAM
 TANGENT TRACK

14.1.4 WMATA Rapid Transit Car Clearance Envelope



End Technical Specifications

COMBINED GLOSSARY OF DEFINITIONS

As used throughout this Contract, except to the extent otherwise expressly specified, the following terms shall have the meanings set forth below:

Acceptance: Acknowledgment by the Authority that the supplies, services, or other work conform to the applicable contract requirements.

Acceptance Period: The number of days available to the Authority to award a Contract pursuant to this solicitation, during which period offerors may not withdraw their offers.

Amendment: Written instructions issued prior to the date set for bid opening to clarify, revise, add or delete requirements of the IFB.

Approved equal: An item approved by WMATA as equivalent to a brand name item originally specified.

Authority or WMATA or Metro: The Washington Metropolitan Area Transit Authority, created effective February 20, 1967, by Interstate Compact by and between Maryland, Virginia and the District of Columbia pursuant to Public Law 89-774, approved November 6, 1966.

Board of Directors: The Board of Directors of the Washington Metropolitan Area Transit Authority.

Brand name: Identification of an item that is produced or controlled by one or more entities, including trademarks, manufacturer names, or model names or numbers that are associated with a manufacturer.

Breach: An unexcused and unjustifiable failure or refusal of a party to satisfy one (1) or terms of the Contract which, if material, shall constitute a basis for potential default.

Change or Change Order: A written alteration issued, upon agreement of both parties or unilaterally by the Authority, to modify or amend the Contract, generally directing changes to the Scope of Work and/or Contract terms.

Claim: A written demand or assertion by the Contractor seeking, as a legal right, the payment of money, adjustment or interpretation of Contract terms, or other relief, arising under or relating to this Contract.

Clarifications: Exchanges between the Authority and one (1) or more bidders of a limited nature, whereby bidders may be given the opportunity to clarify certain aspects of their bids or to resolve minor irregularities, informalities or clerical errors.

Constructive Change: An act or omission by the Authority that, although not identified as a Change Order, does in fact cause a change to the Contract.

Contract or Agreement: The written agreement executed between the Authority and the Contractor awarded pursuant to this solicitation.

Contract Administrator: The Authority's representative designated to serve as its primary point of contact for pre-award activities relating to the solicitation as well as such post-award activities as are set forth in the Contract.

Contracting Officer: An employee with authority duly delegated from the powers of the Chief Procurement Officer to legally bind the Authority by signing a Contractual instrument. The Contracting Officer is the Authority's primary point of contact for pre-award administration, modifications above the limits of the Contracting Officer's Representative, and final settlement.

Contracting Officer Representative: The person to whom the Contracting Officer delegates the authority and responsibility for post-award execution of the Contract. The Contracting Officer's Representative is the Authority's primary point of contact with its Contractor.

Contractor: The individual, partnership, firm, corporation, or other business entity that is contractually obligated to the Authority to furnish, through itself or others, the supplies, services and/or construction services described in the Contract, including all incidentals that are necessary to complete the work in accordance with the contract.

Contract Price: The amount payable to the Contractor under the terms and conditions of the Contract based on lump sum prices, unit prices, fixed prices, or combination thereof, with any adjustments made in accordance with the Contract.

Data: Recorded information, regardless of form or the media on which it may be recorded, including technical data and computer software.

Day: Calendar day, except where the term business day, work day or like term is used.

Designer: The individual, partnership, firm, corporation or other business entity that is either the Contractor, or employed or retained by the Contractor, to manage and perform the design services for the Contract.

Disadvantaged Business Enterprise (DBE): A for-profit small business concern that has been certified by the Authority to be at least fifty-one percent (51%) owned by one (1) or more individuals who are both socially and economically disadvantaged or, in the case of a corporation, in which fifty one percent (51%) of the stock is owned by one (1) or more individuals, and whose management and daily business operations are controlled by one (1) or more of the socially and economically disadvantaged individuals who own it.

Descriptive literature: Information provided by an offeror, such as cuts, illustrations, drawings, and brochures that shows a product's characteristics or construction of a product or explains its operation. The term includes only that information needed to evaluate the acceptability of the product and excludes other information for operating or maintaining the product.

Directed, ordered, designated, prescribed or words of like importance: Shall be understood that the direction, requirement, order, designation or prescription of the Contracting Officer is intended and similarly the words approved, acceptable, satisfactory or words of like import shall mean approved by, or acceptable to, or satisfactory to the Contracting Officer, unless otherwise expressly stated.

Explanation: Additional information or clarification provided by an Authority representative to one (1) or more prospective bidders in response to an inquiry relating to the solicitation, that will be binding upon the Authority, only to the extent specified in the Contract.

Equivalent: Of equal or better quality and/or performance to that specified in the Contract as determined by the Authority.

Final Payment: The last payment to the Contractor for work performed under the Contract.

Force Majeure: An unforeseen event or circumstance, beyond the control of, and not occasioned by the fault or neglect of, the Contractor or the Authority, that gives rise to a delay in the progress or completion of the Contract, including, without limitation, acts of God, acts of war or insurrection, unusually severe weather, fires, floods, strikes, freight embargoes or other events or circumstances of like nature.

FTA: Federal Transit Administration, an agency within the United States Department of Transportation that provides financial and technical assistance to local public transit agencies.

Government: The Government of the United States of America.

Industry Standards: Drawings, documents, and specifications or portions thereof published by industry organizations. Industry Standards are not part of this Contract unless specifically listed as such in the Scope of Work.

Legal Requirements: All Federal, state and local laws, ordinances, rules, orders, decrees, and regulatory requirements such as: building codes, mechanical codes, electrical codes, fire codes, Americans with Disabilities Act Accessibility Guidelines (ADAAG), and other regulations of any government or quasi-government entity that are applicable to this Contract.

Milestone: A specified date in the Contract by which the Contractor is required to complete a designated portion or segment of the work.

Minor Irregularity: A variation from the solicitation contained in a bid that does not affect the price or other material term of the Contract and does not confer a competitive advantage or benefit not enjoyed by other offerors or adversely impact the Authority's interests.

Notice to Proceed: Written notice issued by the Authority establishing the date on which the Contractor may commence work and directing the Contractor to proceed with all or a portion of the work.

Offeror: A party submitting a bid in response to this solicitation.

Option: A unilateral right in the Contract by which, for a specified time, the Authority may elect to purchase, at a predetermined price, additional supplies, services and/or work called for by the Contract or to extend the term of the Contract.

Organizational conflict of interest: A circumstance in which, because of other activities or relationships, a person, corporation or other business entity is unable or potentially unable to render impartial assistance or advice to the Authority, or its objectivity in performing the Contract is or might be otherwise impaired, or it has an unfair competitive advantage.

Period of Performance: The time allotted in the Contract for completion of the work. The period of performance begins upon the effective date of Contract execution and ends on the last date for complete performance of the final option. The period of performance incorporates the milestones established for the Contract.

Pre-award Survey: An evaluation of a prospective Contractor's capability to perform a proposed Contract, including an assessment of matters relating to its responsibility.

Product Data: Information furnished by the Contractor to describe materials used for some portion of the work, such as written or printed descriptions, illustrations, standard schedules, performance charts, instructions, brochures, and diagrams.

Records: Books, documents, accounting procedures and practices, and other data, regardless of type and regardless of whether such items are in written form, in the form of computer data, or in any other form.

Safety Sensitive: FTA regulations at 49 C.F.R. § 655.4 define “safety sensitive functions” as any of the following duties when performed by WMATA as a grant recipient, or any of its contractors: (a) Operating a revenue service vehicle, including when it is not in revenue service; (b) Operating a nonrevenue service vehicle, when required to be operated by the holder of a commercial driver’s license (CDL); (c) Controlling dispatch or movement of a revenue service vehicle; (d) Maintaining (including repairs, overhaul and rebuilding) a revenue service vehicle or equipment used in revenue service; and (e) Carrying a firearm for security purposes. WMATA’s definition of safety sensitive functions extends beyond FTA’s requirements and includes (f) Employees and contractors who maintain escalators and elevators (including repairs, overhauls and rebuilding) and (g) Station managers.

Services: The performance of work by a person or legal entity under contract with the Authority, including without limitation: maintenance; overhaul; repair; servicing; rehabilitation; salvage; modernization or modification of supplies, systems or equipment; routing, recurring maintenance of real property; housekeeping; operation of Authority-owned equipment, facilities and systems; communication services; Architect-Engineering services; professional and consulting services; and transportation and related services.

Small Business Enterprise Set-Aside: Competitive procurement(s), less than \$500,000, exclusively for SBE certified bidders/proposers.

Supplies: The end item(s) required to be furnished by the Contractor in fulfillment of its obligation under this Contract as well as any and all related services and required performance.

Statement of Work/Scope of Work (SOW): The portion of a contract or IFB that describes specifically what is to be done by the Contractor. It may include specifications, performance outcomes, dates and time of performance, quality requirements, etc.

Solicitation: This Invitation for Bids (IFB).

Shop Drawings: Fabrication, erection, layout, setting, schematic, and installation drawings that they the Contractor prepares for permanent structures, equipment, and systems it designed to comply with this Contract.

Similar: Generally the same but not necessarily identical; details shall be worked out in relation to location and relation to other parts of the work.

Site: The areas that are occupied by or used by the Contractor and subcontractors during performance of the Contract.

Small Business Enterprise (SBE): A for profit small business concern that has been certified by the Authority to be at least fifty one percent (51%) owned by one (1) or more individuals who are economically disadvantaged.

Small Business & Local Preference Program: Board mandated small business contracting program for WMATA funded contracts with firm(s) located in the District of Columbia, Maryland or Virginia.

Subcontract: An agreement between the Contractor and another party, or between other subcontractors at any tier, to perform a portion of the Contract through the acquisition of specified supplies, materials, equipment or services.

Subcontractor: An individual, firm, partnership, or corporation that has a contractual obligation with the Contractor or other subcontractors.

Submittal: Written or graphic document or samples prepared for the work by the Contractor or a subcontractor and submitted to the Authority, including shop drawings, product data, samples, certificates, schedules of material, or other data.

Substantial Completion: Work or a portion thereof that has progressed to the point where it is sufficiently complete in accordance with the Contract (including receipt of test and inspection reports) so that it , can be utilized for the purpose for which it is intended, and only incidental work remains for physical completion in accordance with the Contract.

Substitution: An item offered by the Contractor of significant difference in material, equipment, or configuration, that functionally meets the requirements of the Contract, but is submitted in lieu of item specified therein.

Utility: A public and/or private facility or installation, other than WMATA's facility, that relates to (1) the conveyance and supply of water, sewage, gas, chemicals, steam, petroleum products, and other piped installations, or (2) electrical energy, telephone, radio, television, and cellular or wireless communications.

Utility Standards: Drawings and specifications for utilities published or issued by municipalities or utility companies.

WMATA Safety Manual: A compilation of the appropriate safety and reporting requirements for the project as specified in the Contract.

WMATA Safety and Security Certification Program Plan: A compilation of the appropriate system safety and security certification requirements for the project.

Work: All of the services of any kind, as well as any and all goods, supplies, equipment, labor, and material, of any type and nature to be furnished and/or performed pursuant to this Contract to accomplish the Contract's stated objectives in a timely and fully satisfactory manner.